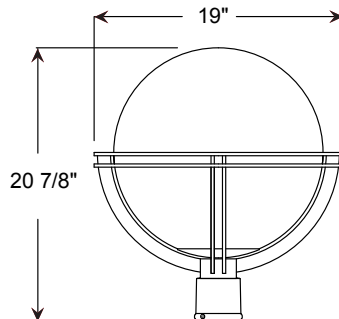


Project: \_\_\_\_\_

Fixture Type: \_\_\_\_\_ Quantity: \_\_\_\_\_

Customer: \_\_\_\_\_



### Specifications

**Material:**

All parts are durable 356 cast aluminum and high strength extruded aluminum. All hardware provided shall be stainless steel or zinc plated steel.

**Lens:**

16" Polycarbonate Round Globe.

**Fixture Mounting:**

Post Mount: Post Cap with set screws. Fits 3" and 4" poles.

**Drivers:**

Universal voltage 120-277 is standard. 0-10V, TRIAC and ELV dimming protocols are standard for LED module (12w is TRIAC dimming only; 24w is 0-10v only)

See page 2 table for LED module and driver specs, voltage and dimming protocols.



**Illuminating**  
ENGINEERING SOCIETY

**Electrical:**

Approximately 12" of pull wire extends from luminaire. Additional pull wire provided for post mount arms and wall mounts.

**Finish:**

A polyester powder coat high quality finish is electro-statically applied and baked at 430° for exceptional durability and color retention. Products undergo an intensive five-step cleansing and pretreatment process for maximum paint adhesion.

Marine grade finish provides superior salt, humidity and UV protection. This coating withstands up to 3000 hours of continuous salt spray, comes with a 5-year warranty and is available in either a textured or gloss surface.

**Modifications:**

Consult factory for custom or modified luminaires.

## WG216 LED

Weight: 16.0 lbs  
EPA: 1.2

### Catalog Logic



Catalog Number	1	2	3	4	5	6	7	8	9
<b>WG216</b>				<b>D</b>					

1	FIXTURE ORIENTATION
1 Post	

2	LENS
CL (Clear Polycarbonate) FR (Frosted Polycarbonate) WH (White Opal Polycarbonate)	

3	LIGHT SOURCE & WATTAGES
<b>M012LD</b> (12w, 750 lumen, Cree module) Integral driver, 120V, TRIAC dimming & narrow distribution only.	
<b>M009LD</b> (9w, 850 lumen, Cree module)	
<b>M010LD</b> (10w, 1250 lumen, Cree module)	
<b>M016LD</b> (16w, 2000 lumen, Cree module)	
<b>M024LD</b> (24w, 3000 lumen, Cree module)	

4	DIMMING
<b>D</b> (Dimming)	
See page 2 for LED Module dimming protocols and limitations.	

5	OPTICS
<b>W</b> (T5 Wide Distribution with Dome LED Lens)	
<b>N*</b> (T5 Narrow Distribution with Flat LED Lens)	
*12w is narrow only, select "N".	

6	COLOR TEMPERATURE (CCT)
<b>27K</b> (2700K)	
<b>30K</b> (3000K)	
<b>35K</b> (3500K)	
<b>40K</b> (4000K)	

7	ACCESSORIES
<b>HSS90</b> (90° House Side Shield, polished)	
<b>HSS180</b> (180° House Side Shield, polished)	
<b>PHSS90</b> (90° House Side/Uplight Shield, polished)	
<b>PHSS180</b> (180° House Side/Uplight Shield, polished)	
* <b>EMG-LED5</b> (5w, LED Emergency Driver, remote placement, Cree module only)	
* <b>EMG-LED7</b> (7w, LED Emergency Driver, remote placement, Cree module only)	
* <b>EMG-LED10</b> (10w, LED Emergency Driver, remote placement, Cree module only)	
<b>HLMSPC</b> (High-Low Motion Sensor/Photocell)	
<b>PC</b> (Button Photo Cell)	
<b>SP</b> (Surge Protector, 10kA & 10kV)	
<b>TLPC</b> (Twist Lock photo cell & receptacle)	
<b>TL</b> (Twist Lock receptacle only)	
<b>TL5</b> (5-pin Twist Lock receptacle)	
<b>TL7</b> (7-pin Twist Lock receptacle)	
*For Emergency lumen output data, see Resources section at <a href="http://www.ANPlighting.com">www.ANPlighting.com</a> .	

8				MOUNTING SOURCE
Post Mount Arms *See Page 3 for Style/Size		Wall Mount Arms *See Page 3 for Style/Size		
<b>PA3321</b>	<b>PA8521</b>	<b>WM2141</b>	<b>WM7421</b>	
<b>PA5151</b>	<b>PA8571</b>	<b>WM2211</b>	<b>WM8021</b>	
<b>PA5411</b>		<b>WM3001</b>		
<b>PA5611</b>		<b>WM3351</b>		
<b>PA5621</b>		<b>WM4511</b>		
<b>PA5651</b>		<b>WM5131</b>		
<b>PA6211</b>		<b>WM5161</b>		
<b>PA6311</b>		<b>WM5311</b>		
<b>PA7911</b>		<b>WM5601</b>		
<b>PA8031</b>		<b>WM5611</b>		
Column Mount *See Page 3 for Style/Size				
<b>CM</b>	Column Mount			

9						FINISHES
Standard Grade	Marine Grade		Standard Grade	Marine Grade		
<b>40</b>	<b>NA</b> Raw Unfinished		<b>53</b>	<b>100</b> Copper Clay		
<b>41</b>	<b>101</b> Black		<b>56</b>	<b>109</b> Silver		
<b>42</b>	<b>102</b> Forest Green		<b>61</b>	<b>106</b> Black Verde		
<b>43</b>	<b>114</b> Bright Red		<b>70</b>	<b>118</b> Painted Chrome		
<b>44</b>	<b>107</b> White		<b>71</b>	<b>105</b> Painted Copper		
<b>45</b>	<b>112</b> Bright Blue		<b>72</b>	<b>108</b> Textured Black		
<b>46</b>	<b>123</b> Sunny Yellow		<b>73</b>	<b>125</b> Matte Black		
<b>47</b>	<b>120</b> Aqua Green		<b>76</b>	<b>121</b> Textured Architectural Bronze		
<b>49</b>	<b>NA</b> Galvanized		<b>77</b>	<b>127</b> Textured White		
<b>50</b>	<b>111</b> Navy		<b>78</b>	<b>124</b> Textured Silver		
<b>51</b>	<b>103</b> Architectural Bronze		<b>10</b>	<b>130</b> Aspen Green		
<b>52</b>	<b>104</b> Patina Verde		<b>11</b>	<b>131</b> Cantaloupe		
<b>12</b>	<b>133</b> Lilac		<b>13</b>	<b>132</b> Putty		
Consult factory for additional paint charges and availability						

Project: \_\_\_\_\_  
 Fixture Type: \_\_\_\_\_ Quantity: \_\_\_\_\_  
 Customer: \_\_\_\_\_

## LED PERFORMANCE

### MODULE

LED Wattage	CCT	Typical Luminous Flux	System Wattage	Typical Efficacy
9W	2700K	850	11W	97
	3000K	850	11W	97
	3500K	850	11W	97
	4000K	850	11W	97
10W	2700K	1250	12W	125
	3000K	1250	12W	125
	3500K	1250	12W	125
	4000K	1250	12W	125
12W	2700K	750	12W	65
	3000K	750	12W	65
	3500K	750	12W	65
	4000K	750	12W	65
16W	2700K	2000	19W	125
	3000K	2000	19W	125
	3500K	2000	19W	125
	4000K	2000	19W	125
24W	2700K	3000	28W	125
	3000K	3000	28W	125
	3500K	3000	28W	125
	4000K	3000	28W	125

### MODULE SPECIFICATION

- Efficacy 65-125 lumens per watt
- Dimmable down to 1%
- Life: L70 50,000 hours
- Color temp: 2700K,3000K,3500K and 4000K
- CRI: >90

### MODULE DRIVER SPECIFICATION

- Input Voltage: 120-277 Volts; 50/60Hz
- 0-10V, TRIAC and ELV dimming protocols are standard. (12w is TRIAC dimming only; 24w is 0-10v only)
- Output Current: Constant Current; 440mA to 940mA (model dependent)
- Driver Efficiency > 80%; Power Factor > 0.9
- Integral Surge Protection in conformance to ANSI C62.41 Category A

### MODULE LISTINGS

- Fully compliant with the RoHS Directive
- Certifications: CE/UL

### WARRANTY

See [www.anplighting.com](http://www.anplighting.com) for complete fixture warranty. LED warranty information

- 5 year limited warranty\*

\*Limited Warranty: A typical year is defined as 4380 hours of operation.

## ACCESSORIES



HSS90 & HSS180



PHSS90 & PHSS180



EMG-LED



HLMSPC



PC



TLPC



TL

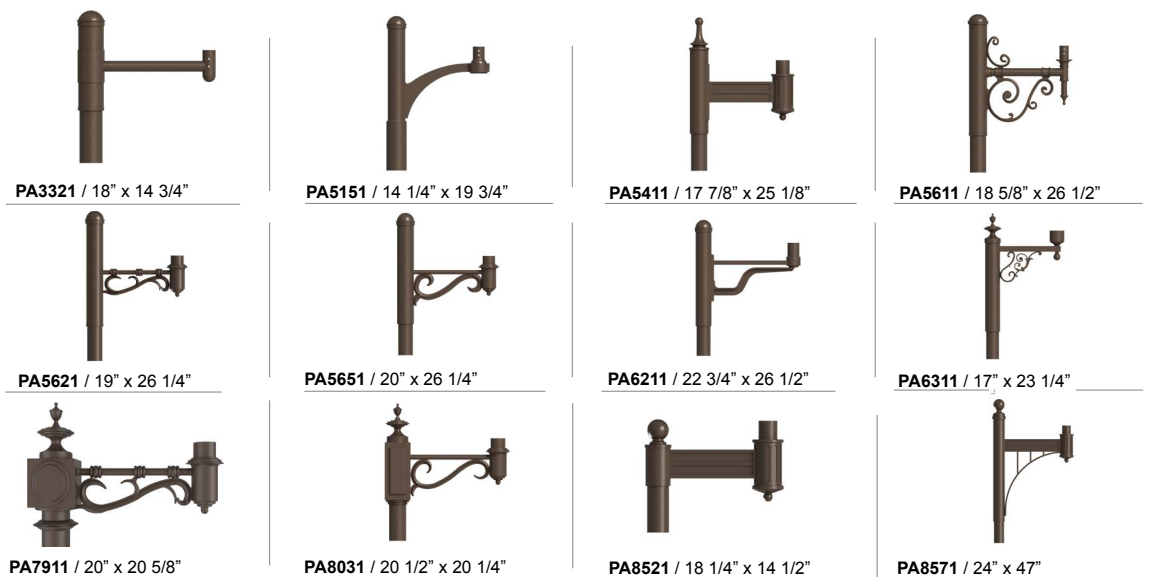


TL5 & TL7

Project: \_\_\_\_\_  
 Fixture Type: \_\_\_\_\_ Quantity: \_\_\_\_\_  
 Customer: \_\_\_\_\_

**POST MOUNTS** - See Post Arm Section on Website for Specification Sheets and additional post arms.  
 Dimensions are Projection x Height

**COLUMN MOUNT**



**CM** / 5 3/4" SQ x 3 1/2" H

**WALL MOUNTS** - See Wall Mount Section on Website for Specification Sheets and additional wall mount arms.  
 Dimensions are Projection x Height

