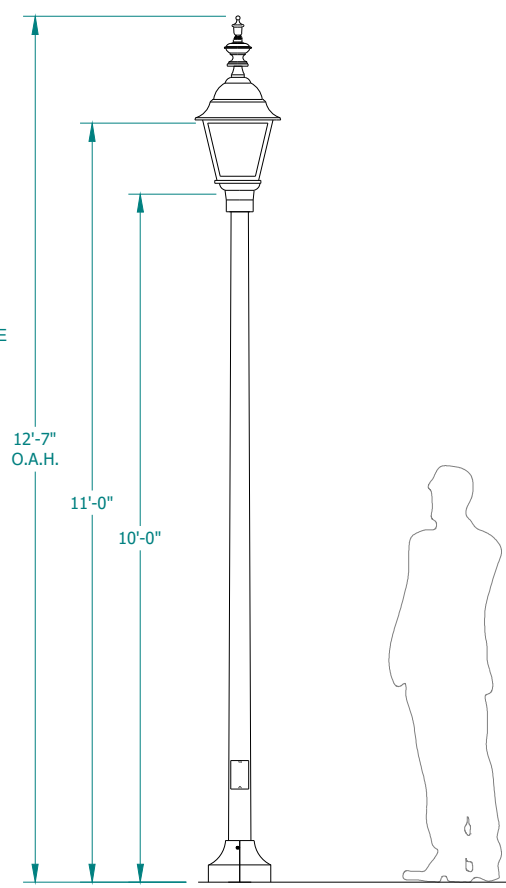
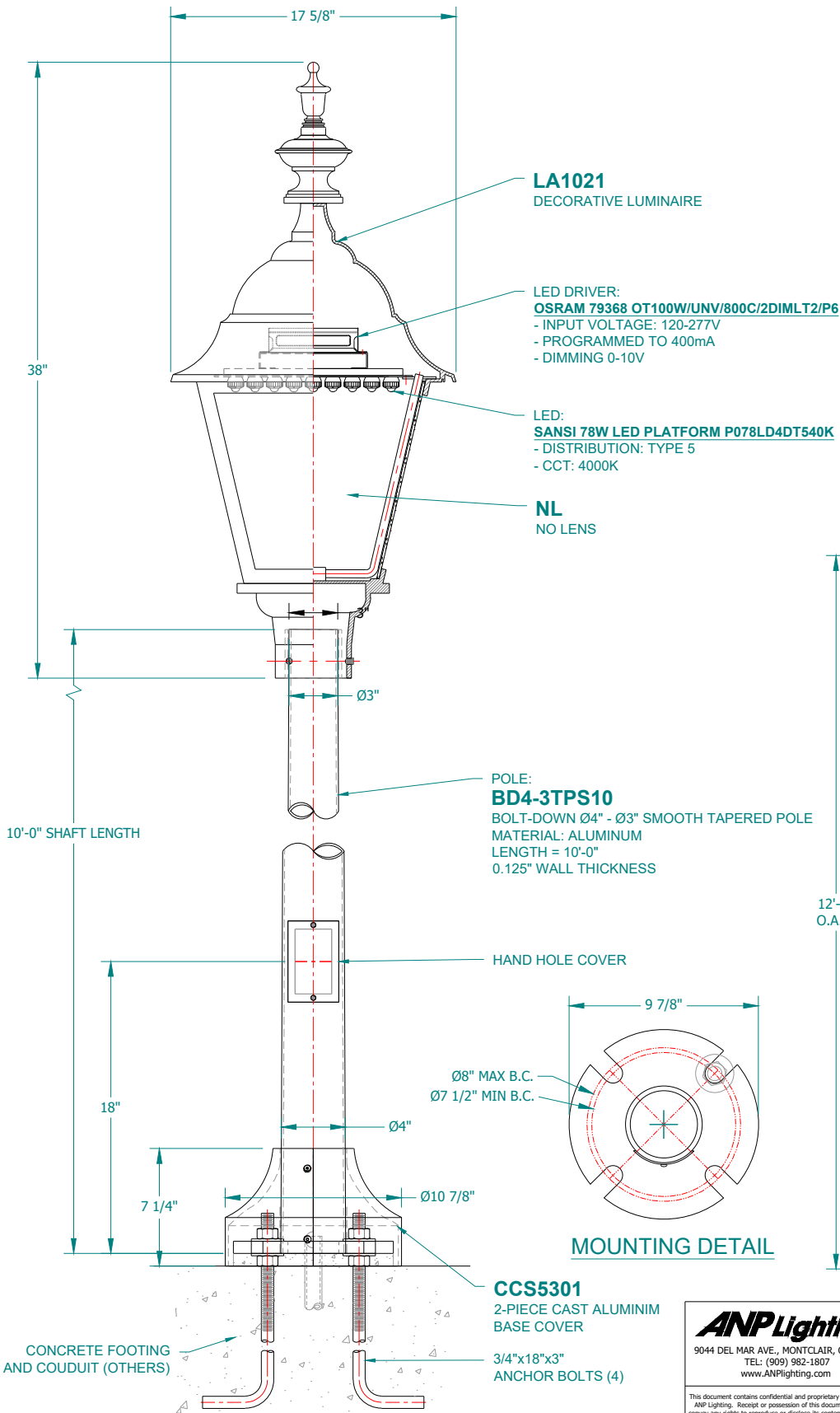


STANDARD PRODUCT	DUE DATE:
ORDER ENTRY	01/31/22
ENGINEERING	02/08/22
PICK ORDERS	03/14/22
CASTING & FAB	03/21/22
WELD	03/28/22
GRIND	04/04/22
PAINT	04/11/22
ASSEMBLY & SHIP	04/18/22



MOUNTING DETAIL

ANPLighting
9044 DEL MAR AVE., MONTCLAIR, CA 91763
TEL: (909) 982-1807
www.ANPLighting.com

This document contains confidential and proprietary information of ANP Lighting. Receipt or possession of this document does not convey any rights to reproduce or disclose its contents, or to make, use, or sell anything it may disclose without the specific written authorization of ANP Lighting - doing so is a violation of the intellectual property rights of ANP Lighting. Due to continuing product improvements, we reserve the right to make minor changes that do not affect the product's overall aesthetic or performance.

DO NOT INSTALL POLES WITHOUT LUMINAIRES

QUOTE NUMBER	TYPE	QTY	DATE	REV
164004	-	2	02/08/22	A
FINISH				
#51 ARCHITECTURAL BRONZE				
CATALOG NUMBER				
LA1021NL078LD3DT540K BD4-3TPS10 CCS5301				
DRAWN BY	PROJECT	SHEET		
DUNCAN	DUNDEE EVENT CENTER	1 - 1		