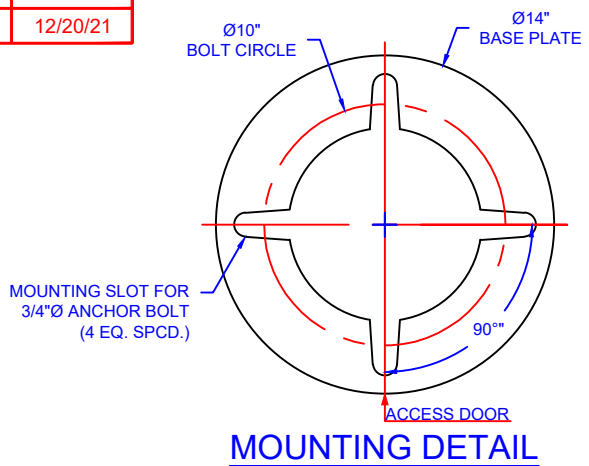
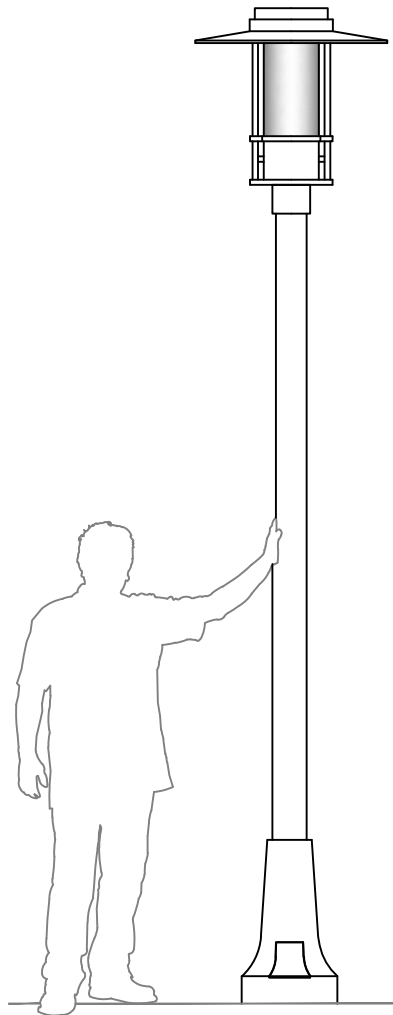


STANDARD PRODUCT	DUE DATE:
ORDER ENTRY	10/11/21
ENGINEERING	10/21/21
PICK ORDERS	11/17/21
CASTING & FAB	11/24/21
WELD	12/02/21
GRIND	12/08/21
PAINT	12/14/21
ASSEMBLY & SHIP	12/20/21



ANPLighting® 9044 Del Mar Ave.
Montclair, Ca. 91763
(909)-982-1807

ORDER#: 165367

PART#: CB65025S10.125-LA1601FRM037LDDW35K

FINISH: #76 TEXT. ARCHITECTURAL BRONZE DRAWN BY: DUNCAN

DATE: 10/21/21 SCALE: - QTY: 2 REV: A SHEET: 1 of 1