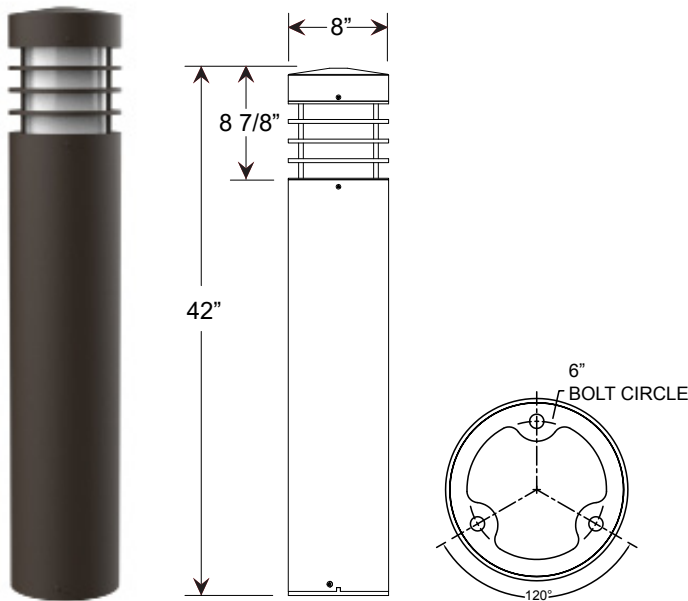


Project: _____

Fixture Type: _____ Quantity: _____

Customer: _____



Specifications

Material:
All parts are durable 356 cast aluminum, high strength extruded aluminum and spinnings. All mounting hardware shall be stainless steel or zinc plated steel.

Lens:
Standard acrylic lens

Mounting:
Standard anchor bolts are 3/8" x 10" x 2". Bolts, nuts and washers shall be hot dipped galvanized steel.

Bolt pattern diameter is 6".

Drivers:
Universal voltage 120-277 is standard. 0-10V, TRIAC and ELV dimming to 1% is standard.

See page 2 table for more LED engine and driver specifications.

Electrical:
20kA max/10kA nominal surge protection device is optional.



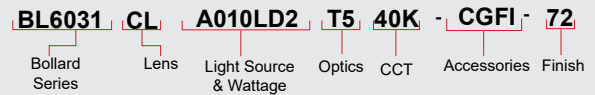
Certifications:
UL Listed for outdoor, wet location. UL1598 Standard for Safety for Lighting Luminaires

Finish:
A polyester powder coat high quality finish is electro-statically applied and baked at 430° for exceptional durability and color retention. Products undergo an intensive five-step cleansing and pretreatment process for maximum paint adhesion.

Marine grade finish provides superior salt, humidity and UV protection. This coating withstands up to 3000 hours of continuous salt spray, comes with a 5-year warranty and is available in either a textured or gloss surface.

Modifications:
Consult factory for custom or modified designs.

Catalog Logic



**BL6031
LED**

Weight: 17.0 lbs

Catalog Number	1	2	3	4	5	6
	BL6031					

1 LENS
CL (Clear Acrylic)
FR (Frosted Acrylic)

2 LIGHT SOURCE & WATTAGES
A010LD2 (10w LED Array)
A018LD4 (18w LED Array)
A032LD8 (32w LED Array)

3 OPTICS
T1 (Type I)
T2 (Type II)
T3 (Type III)
T5 (Type V)

4 COLOR TEMPERATURE (CCT)
27K (2700K)
30K (3000K)
35K (3500K)
40K (4000K)

5 ACCESSORIES
HLMSIN (Integral high-low motion sensor; See page 3 for specifications)
HSSC90 (90° House Side Shield, polished)
HSSC180 (180° House Side Shield, polished)
*IBOLT (Eye Bolt)
EMG-LED06 (6w, LED Emergency Driver)
EMG-LED10 (10w, LED Emergency Driver)
EMG-LED16 (16w, LED Emergency Driver; only compatible with 18w and 32w)
EMG-LED20 (20w, LED Emergency Driver; only compatible with 32w)
*GF115 (15 amp GFCI receptacle outlet)
*GF120 (20 amp GFCI receptacle outlet)
*GFI-WPU (20 amp GFCI receptacle w/weather proof in-use cover)
*CGFI (20 amp Concealed GFCI receptacle w/ hinged door)
SP (Surge Protection; 20kA max/10kA nominal)
*Accessory finish will match fixture finish.

6 FINISHES					
*Premium and Marine Grade Finish have additional charges					
Standard Colors		Marine Grade*	Standard Colors	Standard Grade	Marine Grade*
Aspen Green	10	10M	Architectural Bronze	51	51M
Cantaloupe	11	11M	Patina Verde	52	52M
Lilac	12	12M	Copper Clay	53	53M
Putty	13	13M	Silver	56	56M
Raw Unfinished	40	NA	Black Verde	61	61M
Black	41	41M	Painted Chrome	70	70M
Forest Green	42	42M	Painted Copper	71	71M
Bright Red	43	43M	Textured Black	72	72M
White	44	44M	Matte Black	73	73M
Bright Blue	45	45M	Textured Architectural Bronze	76	76M
Sunny Yellow	46	46M	Textured White	77	77M
Aqua Green	47	47M	Textured Silver	78	78M
Galvanized	49	NA	PREMIUM FINISH	Premium Grade*	Marine Grade*
Navy	50	50M	Carbon Graphite	96	96M
Consult Factory for additional paint charges and availability.					

Project: _____
 Fixture Type: _____ Quantity: _____
 Customer: _____

LED ARRAY - CLEAR ACRYLIC LENS

PERFORMANCE																							
System Wattage	CCT	CRI	Type I				Type II				Type III				Type V				Drive Current				
			Delivered Lumens	Lumens Per Watt	B	U	G	Delivered Lumens	Lumens Per Watt	B	U	G	Delivered Lumens	Lumens Per Watt	B	U	G	Delivered Lumens		Lumens Per Watt	B	U	G
10W	2700K	80	353	35	1	2	1	271	27	0	2	0	289	29	0	2	0	312	31	0	2	0	250mA
	3000K	70	382	38	1	2	1	293	29	0	2	0	313	31	0	2	0	337	34	0	2	0	250mA
	3500K	70	421	42	1	2	1	323	32	0	2	0	345	35	0	2	0	372	37	0	2	0	250mA
	4000K	70	447	45	1	2	1	343	34	0	2	0	366	37	0	2	0	394	39	0	2	0	250mA
18W	2700K	80	635	35	1	3	1	487	27	1	3	1	521	29	0	3	1	561	31	1	3	1	450mA
	3000K	70	687	38	1	3	1	527	29	1	3	1	563	31	0	3	1	607	34	1	3	1	450mA
	3500K	70	758	42	1	3	1	582	32	1	3	1	621	35	0	3	1	669	37	1	3	1	450mA
	4000K	70	804	45	1	3	1	617	34	1	3	1	659	37	0	3	1	710	39	1	3	1	450mA
32W	2700K	80	1137	35	1	3	1	874	27	1	3	1	934	29	1	3	1	1005	31	1	3	1	800mA
	3000K	70	1229	38	1	3	1	946	29	1	3	1	1010	31	1	3	1	1087	34	1	3	1	800mA
	3500K	70	1356	42	1	3	1	1043	32	1	3	1	1114	35	1	3	1	1199	37	1	3	1	800mA
	4000K	70	1438	45	1	3	1	1106	34	1	3	1	1181	37	1	3	1	1272	39	1	3	1	800mA

LED ARRAY - FROSTED ACRYLIC LENS

PERFORMANCE																							
System Wattage	CCT	CRI	Type I				Type II				Type III				Type V				Drive Current				
			Delivered Lumens	Lumens Per Watt	B	U	G	Delivered Lumens	Lumens Per Watt	B	U	G	Delivered Lumens	Lumens Per Watt	B	U	G	Delivered Lumens		Lumens Per Watt	B	U	G
10w	2700K	80	345	34	0	3	1	306	31	0	3	1	316	32	0	3	1	330	33	0	3	1	250mA
	3000K	70	373	37	0	3	1	331	33	0	3	1	341	34	0	3	1	357	36	0	3	1	250mA
	3500K	70	411	41	0	3	1	365	36	0	3	1	376	38	0	3	1	394	39	0	3	1	250mA
	4000K	70	436	44	0	3	1	387	39	0	3	1	399	40	0	3	1	418	42	0	3	1	250mA
18w	2700K	80	620	34	1	3	1	550	31	1	3	1	568	32	0	3	1	594	33	1	3	1	450mA
	3000K	70	671	37	1	3	1	595	33	1	3	1	614	34	0	3	1	642	36	1	3	1	450mA
	3500K	70	740	41	1	3	1	656	36	1	3	1	678	38	0	3	1	709	39	1	3	1	450mA
	4000K	70	785	44	1	3	1	696	39	1	3	1	719	40	0	3	1	752	42	1	3	1	450mA
32w	2700K	80	1111	34	1	3	2	987	31	1	3	2	1017	32	1	3	2	1065	33	1	3	2	800mA
	3000K	70	1201	37	1	3	2	1067	33	1	3	2	1099	34	1	3	2	1151	36	1	3	2	800mA
	3500K	70	1325	41	1	3	2	1177	36	1	3	2	1213	38	1	3	2	1270	39	1	3	2	800mA
	4000K	70	1406	44	1	3	2	1248	39	1	3	2	1286	40	1	3	2	1347	42	1	3	2	800mA

Project: _____
 Fixture Type: _____ Quantity: _____
 Customer: _____

LED SPECIFICATION
• 12 High-Power LED's, CREE XP-G3
• Color temp: 2700K, 3000K, 3500K and 4000K
• CRI: 70 - 80
• Distribution: Types I, II, III and V
• PMMA Optical Lens
• RoHs Compliant

OPTIONAL SURGE SUPPRESSION
• A Surge Protection Device (SPD) is optional featuring a 20kA maximum discharge current 8/20µs Waveform (Imax); 10kA nominal discharge current 8/20µs Waveform (In) and thermally protected varistor technology.
• Meets IEEE C62.41.2 Location Category C High and US Dept of Energy MSSLC Model Spec.
• SPD shall be wired in series and will result in an open circuit during a fault state, resulting in the luminaire to turn off to protect system components thereby indicating SPD module replacement.

WARRANTY
See www.ANPlighting.com for complete fixture warranty.
LED warranty information
• 5 year limited warranty*
*Limited Warranty: A typical year is defined as 4380 hours of operation

DRIVER SPECIFICATION
• Input Voltage: 120-277 Universal Voltage; (50/60Hz)
• Dimmable down to 1%
• 0-10V, TRIAC and ELV dimming protocols are standard
• Drive Current: 250mA, 450mA and 800mA
• Driver Efficiency > 80%; Power Factor > 0.90
• Operating temperatures: -30°C to 70°C
• IP64
• ANSI C62.41 Category A
• UL, cUL, CE
• Lifetime: 50,000 hours

HIGH-LOW MOTION SENSOR
• High Frequency Doppler
• 360° detection, range approximately 15' (30' diameter)
• 0-10V bi-level function is 100% and dims to 30% after 5 minutes of no motion
• Default Factory Setting: Sensitivity 100% (high)
• Sensitivity and time-delay are adjustable (Consult factory)

ACCESSORIES

 HLMSIN	 HSSC90/HSSC120	 IBOLT	 EMG-LED	 GFI15 & GFI20	 GFI-WPU	 CGFI
 SP						