



Specifications

Material:
Durable A356 cast aluminum and aluminum sheet metal. Hardware is stainless steel or zinc-plated steel.

Fixture Mounting:
Horizontal arm mounted, tenon slips into pole. Wall mount version also available.

Drivers:
Universal Voltage 120-277V is standard. 0-10V dimming is standard. (Refer to Driver Specification section for other specifications.)

Dark Sky Friendly:
To maintain dark sky friendly compatibility: ≤ 3000K

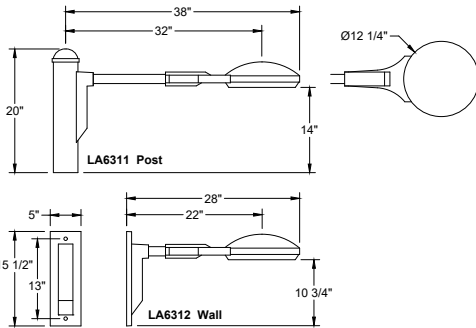
Electrical:
A lightning surge protective device is standard (20KA³ Max/10KA² Nominal). Approximately 12" of pull wire extends from luminaire. All luminaires are prewired with 0-10V dimming leads. Post Arms and Wall Mounts are also prewired with line voltage & dimming leads.

Finish:
A polyester powder coat high quality finish. Marine grade finish is available.

Certifications:
UL Listed for outdoor, wet location. LED is IP66.

Modifications:
Consult factory for custom or modified designs.

Buy American:
This product is assembled in the USA and meets the Buy America(n) government procurement requirements under FAR, DFARS, and DOT regulations. [Click here for additional information.](#)



LA631 LED

EPA: 0.68
Weight: 25.2 lbs.

Catalog Logic

LA631 | 1 | CPS46W18 | T5 | 40K | - PC | - 72

Luminaire Series | Fixture Orientation | Light Source & Wattage | Optics | CCT | Accessories | Finish

Catalog Number	1	2	3	4	5	6	7	8
LA631								

1 FIXTURE ORIENTATION

1 (Post)
2 (Wall-mounted Arm)

2 LIGHT SOURCE & WATTAGES

TIR Performance Platform

CPS30W18 (30W TIR Performance Platform)
CPS39W18 (39W TIR Performance Platform, CA Title 24)
CPS46W18 (46W TIR Performance Platform)

3 OPTICS

T2 (Type II)
T3 (Type III)
T4 (Type IV)
T5 (Type V)

4 CCT (COLOR TEMPERATURE)

27K (2700K)
30K (3000K)
35K (3500K)
40K (4000K)
*Consult Factory for 5000K

5 ACCESSORIES

HSS90 (90° House Side Shield)
HSS120 (120° House Side Shield)
*EMG-LED10 (10W LED Emergency Driver, See Below For Compatibility)
*EMG-LED20 (20W LED Emergency Driver, See Below For Compatibility)
HLMSPC-06 (On/Off Motion Sensor/Photocell, High/Low field-configurable; 15' - 30' Sensor Mounting Height)
HLMSPC-10 (On/Off Motion Sensor/Photocell, High/Low field-configurable; 8' - 15' Sensor Mounting Height)
PC (Button Photo Cell)
TLPC (ANSI C136.41 Twist Lock Photocell, includes receptacle and 120-277V photo cell)
TL5 (ANSI C136.41 5-Pin Twist Lock Receptacle only)
TL7 (ANSI C136.41 7-Pin Twist Lock Receptacle only)
AD (AstroDIM™ - Night-time dimming, consult factory)
FAID (Field Adjustable Internal Dimmer)
*Most Emergency Drivers are remote mount only (consult factory). 10W & 30W Emergency Drivers are not compatible with all LED Light Source and Wattages. For percent lumens in emergency mode, see Technical Section

6 FINISHES

*Premium and Marine Grade Finish have additional charges

Standard Colors	Standard Grade	Marine Grade*	Standard Colors	Standard Grade	Marine Grade*
Aspen Green	10	10M	Copper Clay	53	53M
Cantaloupe	11	11M	Silver	56	56M
Lilac	12	12M	Black Verde	61	61M
Putty	13	13M	Painted Chrome	70	70M
Raw Unfinished	40	NA	Painted Copper	71	71M
Black	41	41M	Textured Black	72	72M
Forest Green	42	42M	Matte Black	73	73M
Bright Red	43	43M	Textured Architectural Bronze	76	76M
White	44	44M	Textured White	77	77M
Bright Blue	45	45M	Textured Silver	78	78M
Sunny Yellow	46	46M	PREMIUM FINISH	Premium Grade*	Marine Grade*
Aqua Green	47	47M	Textured Desert	80	80M
Galvanized	49	NA	Graystone	82	82M
Navy	50	50M	Oil Rubbed Bronze	83	83M
Architectural Bronze	51	51M	Carbon Graphite	96	96M
Patina Verde	52	52M			

Consult Factory for additional paint charges and availability.

Project Name: _____

Fixture Type: _____ Quantity: _____

Customer: _____

PERFORMANCE TABLE - TIR PLATFORM - DELIVERED LUMENS

LED CATALOG	WATTS	DISTRIBUTION	2700K				3000K				3500K				4000K							
			DELIVERED LUMENS	lm/W	B	U	G	DELIVERED LUMENS	lm/W	B	U	G	DELIVERED LUMENS	lm/W	B	U	G	DELIVERED LUMENS	lm/W	B	U	G
CPS30W18	30W	TYPE II	4163	139	1	0	1	4490	150	1	0	1	4327	144	1	0	1	4668	156	1	0	1
		TYPE III	4060	135	1	0	1	4379	146	1	0	1	4220	141	1	0	1	4553	152	1	0	1
		TYPE IV	4277	143	1	0	1	4613	154	1	0	1	4446	148	1	0	1	4796	160	1	0	1
		TYPE V	4249	142	3	0	1	4583	153	3	0	1	4416	147	3	0	1	4765	159	3	0	1
CPS39W18	39W	TYPE II	5087	130	0	0	1	5487	141	0	0	1	5523	142	1	0	1	5705	146	1	0	1
		TYPE III	4962	127	1	0	1	5352	137	1	0	1	5387	138	1	0	1	5564	143	1	0	1
		TYPE IV	5227	134	2	0	2	5638	145	1	0	1	5675	146	1	0	1	5862	150	2	0	2
		TYPE V	5193	133	3	0	1	5601	144	3	0	1	5638	145	3	0	1	5823	149	3	0	1
CPS46W18	46W	TYPE II	6383	139	1	0	1	6884	150	2	0	2	6634	144	2	0	2	7158	156	2	0	2
		TYPE III	6225	135	1	0	1	6714	146	1	0	1	6471	141	1	0	1	6981	152	1	0	1
		TYPE IV	6558	143	2	0	2	7073	154	2	0	2	6817	148	2	0	2	7354	160	2	0	2
		TYPE V	6515	142	3	0	1	7027	153	3	0	1	6772	147	3	0	1	7306	159	3	0	1

TIR PERFORMANCE PLATFORM SPECIFICATION

- Performance, Ceramic-cooling technology
- Distributions: Type II, III, IV, V
- CCT: 2700K, 3000K, 3500K, 4000K
- Life: L70 >50,000 hours
- Ingress Protection: IP66
- Certification: ETL
- CRI: >80, 3 SDCM

DRIVER SPECIFICATION

- Universal Input 120-277V
- 0-10V Dimming to 10%
- Power Factor @ Full Load >95%
- THD @ Full Load <10%
- Constant Current Output 50/60Hz
- Operating Temperature: -40°C Minimum
- Ingress Protection: IP66
- Certifications: UL Recognized, CSA, RoHS

FINISHES

- A polyester powder coat high quality finish is electro-statically applied and baked at 430° for exceptional durability and color retention. Products undergo an intensive five-step cleansing and pretreatment process for maximum paint adhesion. 5-year warranty for aluminum products. 2-year warranty for steel products.
- Marine grade finish provides superior salt, humidity and UV protection. This coating withstands up to 3,000 hours of continuous salt spray and is available in either a textured or gloss surface. 5-year warranty for aluminum products. 2-year warranty for steel products.

WARRANTY

See www.ANPlighting.com for complete fixture warranty.

LED warranty information

- 5 year limited warranty*
- *Limited Warranty: A typical year is defined as 4,380 hours of operation.

ACCESSORIES



HSS90 & HSS120



EMG-LED10, 20



HLMSPC-06 & HLMSPC-10



PC



TLPC



TL5 & TL7



FAID

Project Name: _____

Fixture Type: _____ Quantity: _____

Customer: _____

FINISHES COLORS

STANDARD																								PREMIUM				
WHITE	TEXTURED WHITE	SILVER	PAINTED CHROME	PAINTED GALVANIZED	PUTTY	TEXTURED SILVER	TEXTURED BLACK	MATTE BLACK	BLACK	BLACK VERDE	PATINA VERDE	FOREST GREEN	AQUA GREEN	ASPEN GREEN	BRIGHT BLUE	NAVY	SUNNY YELLOW	CANTALOUPE	LILAC	BRIGHT RED	PAINTED COPPER	COPPER CLAY	ARCHITECTURAL BRONZE	TEXTURED ARCHITECTURAL BRONZE	TEXTURED DESERT	GRAYSTONE	OIL RUBBED BRONZE	CARBON GRAPHITE