

Project: \_\_\_\_\_  
 Fixture Type: \_\_\_\_\_ Quantity: \_\_\_\_\_  
 Customer: \_\_\_\_\_

**Specifications**

**Material:**  
 RLM shades are constructed of heavy duty spun aluminum. Wall back plate and driver housing are cast aluminum. All fasteners are stainless steel. Inside of shade is reflective white finish for all colors except galvanized paint finish. Screw hardware may not match paint.

**Glass:**  
 Choice of clear, frosted or prismatic glass. Up to 24w Max.

**Electrical:**  
 Universal voltage 120-277 is standard. 0-10V, TRIAC and ELV dimming to 1% protocols are standard for LED modules.

See page 3 table for LED module and driver specs, voltage and dimming protocols



**Certifications:**  
 Cord mounts are UL Listed for dry locations. Arm mount, stem mount and wall mount are UL Listed for wet locations.

**Finish:**  
 A polyester powder coat high quality finish is electro-statically applied and baked at 430° for exceptional durability and color retention. Products undergo an intensive five-step cleansing and pretreatment process for maximum paint adhesion.

Marine grade finish provides superior salt, humidity and UV protection. This coating withstands up to 3000 hours of continuous salt spray, comes with a 5-year warranty and is available in either a textured or gloss surface.

**Modifications:**  
 Consult factory for custom or modified designs.

**VEC24  
 LED**

Weight: 8 lbs

**Catalog Logic**  
**VEC24 - M016LDD W 40K - SRTCW - E6 - 200GLCL - PC - 41 - UNV**  
 RLM Style | Light Source & Wattage | Distribution | CCT | Driver Housing | Mounting | Glass & Guards | Accessories | Finish | Voltage

**Catalog Number**  
**VEC24** — — — — — — — — —

**1 LIGHT SOURCE & WATTAGES**

<b>M009LDD</b>	(9w, 850 lumen, Cree module)
<b>M010LDD</b>	(10w, 1250 lumen, Cree module)
<b>M016LDD</b>	(16w, 2000 lumen, Cree module)
<b>M024LDD</b>	(24w, 3000 lumen, Cree module)
<b>M037LDD</b>	(37w, 4000 lumen, Cree module)

**2 DISTRIBUTION**

<b>W</b>	(T5 Wide Distribution with Dome LED Lens)
<b>N</b>	(T5 Narrow Distribution with Flat LED Lens)

**3 COLOR TEMPERATURE (CCT)**

<b>27K</b>	(2700K)
<b>30K</b>	(3000K)
<b>35K</b>	(3500K)
<b>40K</b>	(4000K)

**4 DRIVER HOUSINGS\***

<b>Wall Mount Options Choose Arm in Box 5</b>	
<b>SRTCW</b>	(Smooth Driver Housing for Wall only (E-arms); 6" OD x 2 7/8" H)
<b>Cord Mount Options Choose Cord Style in Box 5</b>	
<b>CRD-SRTCC</b>	(Smooth Driver Housing for Cord only; 6" OD x 2 7/8" H)
<b>Cable Mount Options Choose Cord Style in Box 5</b>	
<b>SSC-SRTCC</b>	(Smooth Driver Housing for SS Cable/Cord only; 6" OD x 2 7/8" H)
<b>Stem Mount Options Choose Stem Size in Box 5</b>	
<b>ST-SRTCC</b>	(Smooth Driver Housing for Stem only; 6" OD x 2 7/8" H)
<b>Emergency Backup Housing Options Choose EMG Driver in Box 7</b>	
<b>CRD-DCEM</b>	(Emergency Ballast Housing for Cord only; 12" OD x 1 1/2" H) Choose Cord Style in Box 5.
<b>ST-DCEM</b>	(Emergency Ballast Housing for Stem only; 12" OD x 1 1/2" H) Choose Stem Size in Box 5.
<b>SSC-DCEM</b>	(Emergency Ballast Housing for SS Cable/Cord only; 12" OD x 1 1/2" H) Choose Cord Style in Box 5.

\*Driver Housing finish will match fixture finish.

**5 MOUNTING SOURCES\***

<b>Arm Mounts</b>	
<b>E3 E4 E6 E8 E9 E10 E11 E12 E18 E25</b>	
<b>Wall Mounts</b>	
<b>WM54</b>	
<b>Post Mounts</b>	
<b>PM10 PM20 PM30 PM40 PM50 PM319</b>	
<b>Cord Mounts Color &amp; Style (See page 5 for color cord style)</b>	
<b>SJT Cord</b>	
<b>BLC</b> (6' Black SJT Cord)	<b>WHC</b> (6' White SJT Cord)
<b>Solid Fabric Colored Cords</b>	
<b>BLSF</b> (6' Black)	<b>ORSF</b> (6' Orange)
<b>GYSF</b> (6' Gray)	<b>LGSF</b> (6' Lime Green)
<b>CHSF</b> (6' Chocolate Brown)	<b>KGSF</b> (6' Kelly Green)
<b>WHSF</b> (6' White)	<b>CBSF</b> (6' Cobalt Blue)
<b>CASF</b> (6' Cardinal)	<b>SBSF</b> (6' Sky Blue)
<b>Patterned Fabric Colored Cords</b>	
<b>BWHPF</b> (6' Black/White Houndstooth)	<b>BIHPF</b> (6' Brown/Ivory Houndstooth)
<b>GYCPF</b> (6' Gray/Citrus Yellow)	<b>MOSPF</b> (6' Magenta/Orange Stripe)
<b>NMTPF</b> (6' Navy Mini Tweed)	
<b>Glossy Fabric Colored Cords</b>	
<b>GMGF</b> (6' Gun Metal)	<b>SSGF</b> (6' Sterling Silver)
<b>CPGF</b> (6' Copper Penny)	<b>BRGF</b> (6' Bronze)
<b>GOGF</b> (6' Gold)	
<b>Stem Mounts</b>	
1/2" (13/16" OD) Rigid Stems	3/4" (1" OD) Rigid Stems
<b>2ST6 2ST12 2ST18</b>	<b>3ST6 3ST12 3ST18</b>
<b>2ST24 2ST36 2ST48</b>	<b>3ST24 3ST36 3ST48</b>
<b>2ST60 2ST72 2ST96</b>	<b>3ST60 3ST72 3ST96</b>

\*Arm mounts, Wall mounts or Stem finish will match fixture finish.

Project: \_\_\_\_\_

Fixture Type: \_\_\_\_\_ Quantity: \_\_\_\_\_

Customer: \_\_\_\_\_

6 GLASS & GUARD*	
Up to 16W	
100GLCL	(Clear Glass)
100GLFR	(Frosted Glass)
100GLPR	(Prismatic Glass)
100GLCLGUP	(Clear Glass & Small Wire Guard)
100GLFRGUP	(Frosted Glass & Small Wire Guard)
100GLPRGUP	(Prismatic Glass & Small Wire Guard)
100GLCLGUPC	(Clear Glass & Cast Guard)
100GLFRGUPC	(Frosted Glass & Cast Guard)
100GLPRGUPC	(Prismatic Glass & Cast Guard)
100GLGUP	(Small Wire Guard with No Glass)
100GLGUPC	(Cast Guard with No Glass)
Up to 24W	
200GLCL	(Clear Glass)
200GLFR	(Frosted Glass)
200GLPR	(Prismatic Glass)
200GLCLGUP	(Clear Glass & Large Wire Guard)
200GLFRGUP	(Frosted Glass & Large Wire Guard)
200GLPRGUP	(Prismatic Glass & Large Wire Guard)
200GLCLGUPC	(Clear Glass & Large Cast Guard)
200GLFRGUPC	(Frosted Glass & Large Cast Guard)
200GLPRGUPC	(Prismatic Glass & Large Cast Guard)
200GLGUP	(Large Wire Guard with No Glass)
200GLGUPC	(Large Cast Guard with No Glass)
*Cast and Wire Guard Finish will match fixture finish.	

7 ACCESSORIES*	
*EMG-LED06 (6w, LED Emergency Driver, remote placement, Cree module only) <b>MUST CHOOSE DCCEM CANOPY IN BOX 4.</b>	
*EMG-LED10 (10w, LED Emergency Driver, remote placement, Cree module only) <b>MUST CHOOSE DCCEM CANOPY IN BOX 4.</b>	
*EMG-LED16 (16w, LED Emergency Driver, remote placement, Cree module only) <b>MUST CHOOSE DCCEM CANOPY IN BOX 4.</b>	
PC	(Button Photo Cell) Remote Only
SC	(Scroll for Arms)**
SLC	(Sloped Ceiling Mount Canopy, 20° Max)**
SQ	(Square Back Plate)**
SWL	(Adjustable Locking Swivel)**
TBK	(Turn Buckle Kit)**
*For Emergency lumen output data; see Resources section at <a href="http://www.ANPlighting.com">www.ANPlighting.com</a>	
**Accessory finish will match fixture finish.	

8 FINISHES					
*Marine Grade Finish has an additional charge					
Standard Colors	Standard Grade	Marine Grade*	Premium Colors	Premium Grade	Marine Grade*
Aspen Green	10	10M	High Gloss Black	01	01M
Cantaloupe	11	11M	Arctic Silver	14	14M
Lilac	12	12M	Candy Apple Red	64	64M
Putty	13	13M	Cobalt Blue	65	65M
Raw Unfinished	40	NA	Caramel	66	66M
Black	41	41M	Butterscotch	67	67M
Forest Green	42	42M	Black Silver	68	68M
Bright Red	43	43M	Gunmetal Gray	69	69M
White	44	44M	Mayan Gold	79	NA
Bright Blue	45	45M	Textured Desert Stone	80	80M
Sunny Yellow	46	46M	Extreme Chrome	81	81M
Aqua Green	47	47M	Graystone	82	82M
Galvanized	49	NA	Oil Rubbed Bronze	83	83M
Navy	50	50M	Carbon Graphite	96	96M
Architectural Bronze	51	51M			
Patina Verde	52	52M			
Copper Clay	53	53M			
Silver	56	56M			
Black Verde	61	61M			
Painted Chrome	70	70M			
Painted Copper	71	71M			
Textured Black	72	72M			
Matte Black	73	73M			
Textured Architectural	76	76M			
Textured White	77	77M			
Textured Silver	78	78M			
Consult Factory for additional paint charges and availability.					






9 VOLTAGE	
UNV (120-277)	

Project: \_\_\_\_\_

Fixture Type: \_\_\_\_\_ Quantity: \_\_\_\_\_

Customer: \_\_\_\_\_

LED MODULE PERFORMANCE								
LED Wattage	CCT	CRI	Type V				Driver Current	
			Delivered Lumens	Lumens Per Watt	B	U	G	Type V
9W	2700K	90	810	75	1	0	0	440mA
	3000K	90	810	75	1	0	0	440mA
	3500K	90	810	75	1	0	0	440mA
	4000K	90	810	75	1	0	0	440mA
10W	2700K	90	1385	105	1	0	0	500mA
	3000K	90	1385	105	1	0	0	500mA
	3500K	90	1385	105	1	0	0	500mA
	4000K	90	1385	105	1	0	0	500mA
16W	2700K	90	1999	115	1	0	0	450mA
	3000K	90	1999	115	1	0	0	450mA
	3500K	90	1999	115	1	0	0	450mA
	4000K	90	1999	115	1	0	0	450mA
24W	2700K	90	3067	105	1	0	0	620mA
	3000K	90	3067	105	1	0	0	620mA
	3500K	90	3067	105	1	0	0	620mA
	4000K	90	3067	105	1	0	0	620mA
37W	2700K	90	3772	92	2	0	1	0940mA
	3000K	90	3772	92	2	0	1	0940mA
	3500K	90	3772	92	2	0	1	0940mA
	4000K	90	3772	92	2	0	1	0940mA

GLASS & GUARDS	
UP TO 24w Max	
Glass Legend: CL = Clear FR = Frosted PR = Prismatic 100 = Small 200 = Large	
Glass Only	
	100 = 6 1/2" H X 4 1/8" W (16W Max) 200 = 9 1/4" H X 5" W (24W Max)  200GLCL 200GLFR 200GLPR
Glass with Cast Guard	
	100 = 7 1/2" H X 4 1/8" W (16W Max) 200 = 10 1/4" H X 5 1/2" W (24W Max)  200GLCLGUPC 200GLFRGUPC 200GLPRGUPC
Glass with Wire Guard	
	100 = 7 1/2" H X 4 1/8" W (16W Max) 200 = 10 1/4" H X 5" W (24W Max)  200GLCLGUP 200GLFRGUP 200GLPRGUP
GUPC Guard Only	
	100 = 7 1/2" H X 4 1/8" W 200 = 10 1/4" H X 5" W  200GLGUPC (Cast Guard)
GUP Guard Only	
	100 = 7 1/2" H X 4 1/8" W 200 = 10 1/4" H X 5" W  200GLGUP (Wire Guard)

MODULE SPECIFICATION:
• Efficacy 75-115 lumens per watt
• Life: L70 50,000 hours
• Color temp: 2700K, 3000K, 3500K and 4000K
• CRI: >90

MODULE DRIVER SPECIFICATION:
• Input Voltage: 120-277 Volts; 50/60Hz
• Dimmable. (See www.ANPlighting.com Resources section for details.)
• 0-10V, TRIAC and ELV dimming protocols are standard.
• Output Current: Constant Current; 440mA to 940mA (model dependent)
• Driver Efficiency > 80%; Power Factor > 0.9
• Integral Surge Protection in conformance to ANSI C62.41 Category A.

MODULE LISTINGS
• Fully compliant with the RoHS Directive
• Certifications: CE/UL

WARRANTY
See www.ANPlighting.com for complete fixture warranty.
LED warranty information
• 5 year limited warranty*
*Limited Warranty: A typical year is defined as 4380 hours of operation

Project: \_\_\_\_\_

Fixture Type: \_\_\_\_\_ Quantity: \_\_\_\_\_

Customer: \_\_\_\_\_

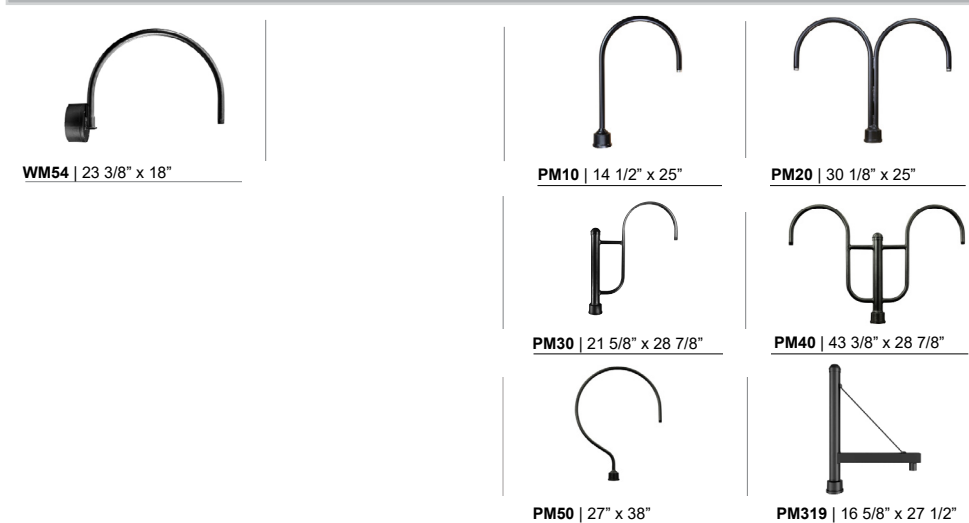
**ARM MOUNTS** | Dimensions are Projection x Height | CB included with all arms | Arm will match fixture finish



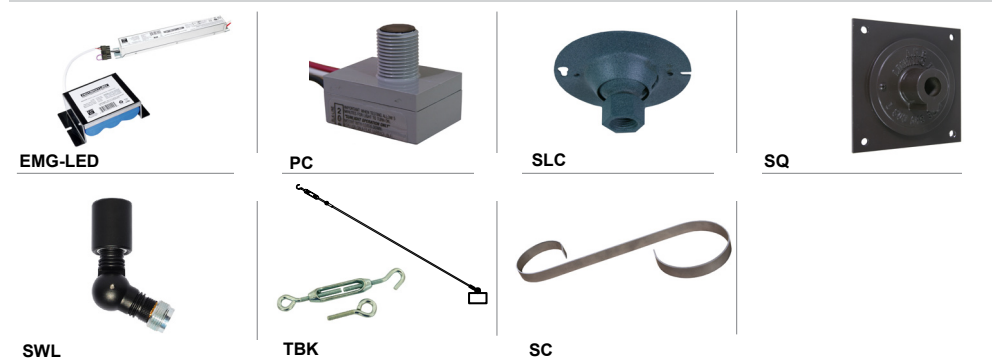
**Driver Housings**

	SRTCW (6" OD x 2 7/8" H) Wall Only (E-arms)
	ST-SRTCC (6" OD x 2 7/8" H) Stem Only
	CRD-SRTCC (6" OD x 2 7/8" H) Cord Only
	SSC-SRTCC (6" OD x 2 7/8" H) Cable Only
	ST-DCEM (12" OD x 1 1/2" H) Stem Only
	CRD-DCEM (12" OD x 1 1/2" H) Cord Only
	SSC-DCEM (12" OD x 1 1/2" H) Cable Only

**WALL MOUNTS** | Dimensions are Projection x Height | **POST MOUNTS** | Dimensions are Projection x Height



**ACCESSORIES**



Project: \_\_\_\_\_

Fixture Type: \_\_\_\_\_ Quantity: \_\_\_\_\_

Customer: \_\_\_\_\_

All fabric Color Cords are three conductor, 1/4" diameter

**Solid Fabric Colored Cords**



**BLSF** | Black



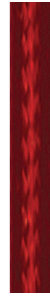
**GYSF** | Gray



**CHSF** | Chocolate Brown



**WHSF** | White



**CASF** | Cardinal



**ORSF** | Orange



**LGSF** | Lime Green



**KGSF** | Kelly Green



**CBSF** | Cobalt Blue



**SBSF** | Sky Blue

**Patterned Fabric Colored Cords**



**BWHPF** | Black/White Houndstooth



**BIHPF** | Houndstooth



**GYCPF** | Gray/Citrus Yellow



**MOSPF** | Magenta/Orange Stripe



**NMTPF** | Navy Mini Tweed

**Glossy Fabric Colored Cords**



**GMGF** | Gun Metal



**SSGF** | Sterling Silver



**CPGF** | Copper Penny



**BRGF** | Bronze



**GOGF** | Gold