

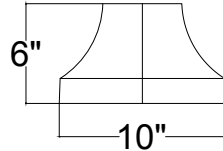
Project: _____

Fixture Type: _____ Quantity: _____

Customer: _____



Illuminating
ENGINEERING SOCIETY



Specifications

Material:

All parts are durable 356 cast aluminum. All hardware provided shall be stainless steel or zinc plated steel.

Available with aluminum bolt down fluted or smooth; direct burial fluted or smooth; or round steel poles. For tapered poles consult factory.

Fits pole diameters: 3" and 4".

Finish:

A polyester powder coat high quality finish is electro-statically applied and baked at 430° for exceptional durability and color retention. Products undergo an intensive five-step cleansing and pretreatment process for maximum paint adhesion.

Marine grade finish provides superior salt, humidity and UV protection. This coating withstands up to 3000 hours of continuous salt spray, comes with a 5-year warranty and is available in either a textured or gloss surface.

Modifications:

Consult factory for custom or modified cast clam shell.

CCS5301

Weight: 8 lbs

Catalog Logic						
CCS5301	-	BD4S16.125	-	GFI20	-	72
Cast Clam Shell		Pole		Accessory		Finish

Catalog Number	1	2	3
CCS5301	—	—	—

1 POLES

SELECT POLE PART NUMBER FROM SPECS ON PAGES 2 THRU 6.

2 ACCESSORIES

GFI15	(15 amp GFCI receptacle outlet)	
GFI20	(20 amp GFCI receptacle outlet)	
GFI-WPU	(20 amp GFCI receptacle with weather proof in-use cover)	
BAA	(Cast Banner Arm A for 24" wide banner)	
BAB	(Cast Banner Arm B for 30" wide banner)	
BAC	(Cast Banner Arm C for 30" wide banner)	
LR1	(Cast Ladder Rest 1)	
LR3	(Cast Ladder Rest 3)	
LR4	(Cast Ladder Rest 4)	
LR5	(Cast Ladder Rest 5)	
SIGN A	(Cast Sign A; 30" x 9", 8 letters/numbers on one line; requires Banner Arm to hang)	
SIGN B	(Cast Sign B; 31" x 7", 12 letters/numbers on one line; requires Banner Arm to hang)	
SIGN C	(Cast Sign C; 27" x 11", two rows of 8 letters/numbers on each line, requires Banner Arm to hang)	
SIGN D	(Cast Sign D; 11" x 6 1/2", 4 letters/numbers on one line)	
SIGN E	(Cast Sign E; comes with pole clamp, 24 1/2" x 6", 9 letters/numbers on one line)	
FPH1	(Flag Pole Holder)	
TP	(Tamper Proof Screws)	

3 FINISHES

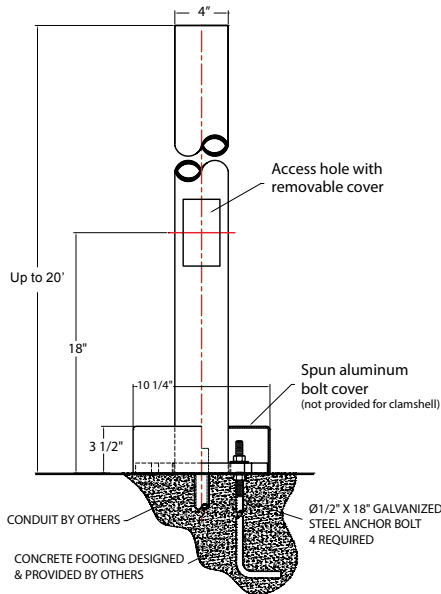
Standard Grade	Marine Grade		Standard Grade	Marine Grade	
40	NA	Raw Unfinished	53	100	Copper Clay
41	101	Black	56	109	Silver
42	102	Forest Green	61	106	Black Verde
43	114	Bright Red	70	118	Painted Chrome
44	107	White	71	105	Painted Copper
45	112	Bright Blue	72	108	Textured Black
46	123	Sunny Yellow	73	125	Matte Black Textured Architectural Bronze
47	120	Aqua Green	76	121	Textured White
49	NA	Galvanized	77	127	Textured Silver
50	111	Navy	78	124	Aspen Green
51	103	Architectural Bronze	10	130	Cantaloupe
52	104	Patina Verde	11	131	Putty
12	133	Lilac	13	132	

Consult factory for additional paint charges and availability

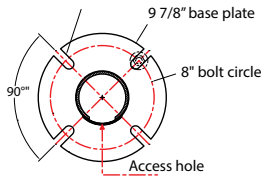
Project: _____

Fixture Type: _____ Quantity: _____

Customer: _____



Mounting slot for $\varnothing 1/2"$ anchor bolt. 4 required



MOUNTING DETAIL

Various heights and fixture configurations may require a different bolt circle. Consult factory for specific bolt circle required.

SMOOTH BOLT DOWN POLE OPTIONS

Item Number	OD	Height	Wall	80 MPH	100 MPH
BD3S3	3	3	0.125	10.10	6.10
BD3S4	3	4	0.125	9.20	5.30
BD3S5	3	5	0.125	8.00	4.70
BD3S6	3	6	0.125	6.90	4.00
BD3S7	3	7	0.125	6.00	3.60
BD3S8	3	8	0.125	5.20	3.00
BD3S9	3	9	0.125	4.50	2.60
BD3S10	3	10	0.125	3.90	2.00
BD3S11	3	11	0.125	3.40	1.70
BD3S12	3	12	0.125	2.90	1.30
BD4S3	4	3	0.125	27.60	14.10
BD4S4	4	4	0.125	23.80	13.00
BD4S5	4	5	0.125	20.70	11.40
BD4S6	4	6	0.125	17.80	9.70
BD4S7	4	7	0.125	15.60	8.50
BD4S8	4	8	0.125	13.40	7.30
BD4S9	4	9	0.125	11.70	6.40
BD4S10	4	10	0.125	10.10	5.60
BD4S11	4	11	0.125	8.80	4.80
BD4S12	4	12	0.125	7.60	3.80
BD4S13	4	13	0.125	6.40	3.30
BD4S14	4	14	0.125	5.70	2.70
BD4S5	4	5	0.188	36.60	19.30
BD4S6	4	6	0.188	31.70	16.80
BD4S7	4	7	0.188	27.60	14.80
BD4S8	4	8	0.188	24.3	13.4
BD4S9	4	9	0.188	21.1	11.9
BD4S10	4	10	0.188	18.0	9.8
BD4S11	4	11	0.188	15.60	8.30
BD4S12	4	12	0.188	13.50	7.40
BD4S13	4	13	0.188	11.40	6.20
BD4S14	4	14	0.188	10.10	5.00
BD4S15	4	15	0.188	8.50	4.70
BD4S16	4	16	0.188	7.60	4.00
BD5S6	5	6	0.125	30.10	18.30
BD5S7	5	7	0.125	26.50	16.20
BD5S8	5	8	0.125	23.00	13.90
BD5S9	5	9	0.125	20.10	12.20
BD5S10	5	10	0.125	17.20	10.40
BD5S11	5	11	0.125	15.00	9.10
BD5S12	5	12	0.125	12.90	7.80
BD5S13	5	13	0.125	11.30	6.70
BD5S14	5	14	0.125	9.70	5.90
BD5S15	5	15	0.125	8.50	5.10
BD5S16	5	16	0.125	7.30	4.40
BD5S17	5	17	0.125	6.40	3.70
BD5S18	5	18	0.125	5.50	3.30
BD5S19	5	19	0.125	4.80	2.90
BD5S20	5	20	0.125	4.10	2.50
BD5S7	5	7	0.188	35.30	21.60
BD5S8	5	8	0.188	30.60	18.50
BD5S9	5	9	0.188	26.80	16.00
BD5S10	5	10	0.188	22.90	13.90
BD5S11	5	11	0.188	19.70	12.20
BD5S12	5	12	0.188	16.80	10.40
BD5S13	5	13	0.188	14.80	8.90
BD5S14	5	14	0.188	12.90	7.60
BD5S15	5	15	0.188	11.30	6.80
BD5S16	5	16	0.188	9.70	5.80
BD5S17	5	17	0.188	8.50	4.90
BD5S18	5	18	0.188	7.40	4.40
BD5S19	5	19	0.188	6.40	3.80
BD5S20	5	20	0.188	5.50	3.30

Material

Aluminum pole bases and base plates be cast from 356 aluminum alloy. Shafts shall be extruded 6061-T6 aluminum. Available in 3", 4" or 5" diameter. Wall thickness 0.125" or 0.188".

Mounting

Four anchor bolts provided are 1/2"x18" or 3/4"x18" depending on the pole height, fixture weight and mounting weight. Anchor bolts, nuts and washers are hot dipped galvanized steel. Spun aluminum bolt cover provided.

Access

All poles are provided with a hand access opening and cover. Hand hole cover is secured by two stainless steel machine screws. (Tamper-proof screws provided upon request).

Grounding

All poles are provided with an aluminum grounding lug integrated to inner wall of shaft, 180 degrees to hand hole. Grounding lug is drilled and tapped to accommodate 1/4"-20 stainless steel machine screw.

Pole Height

Maximum pole height is 20-feet.

Accessories

Banner arms, ladder rests, signage, flag pole holder and GFI receptacles are optional.

Finish

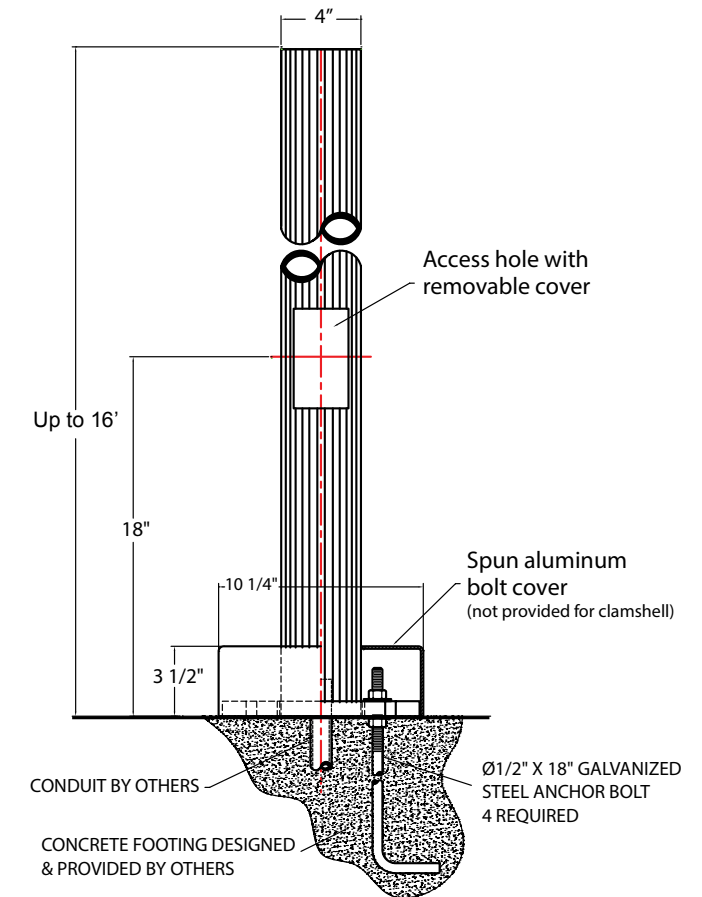
A polyester powder coat high quality finish is electro-statically applied and baked at 430° for exceptional durability and color retention. Products undergo an intensive five-step cleansing and pretreatment process for maximum paint adhesion.

Marine grade finish provides superior salt, humidity, and UV protection. This coating withstands up to 3000 hours of continuous salt spray, comes with a 5-year warranty and is available in either a textured or gloss surface.

Project: _____

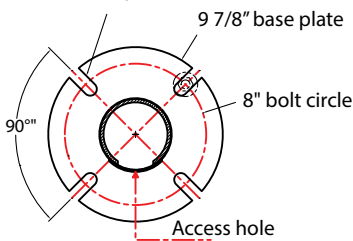
Fixture Type: _____ Quantity: _____

Customer: _____



FLUTED BOLT DOWN POLE OPTIONS			
Item Number	OD	Height	Wall
BD3F6-.125	3.00"	6'	.125
BD3F7-.125	3.00"	7'	.125
BD3F8-.125	3.00"	8'	.125
BD3F9-.125	3.00"	9'	.125
BD3F10-.125	3.00"	10'	.125
BD4F8-.188	4.00"	8'	.188
BD4F9-.188	4.00"	9'	.188
BD4F10-.188	4.00"	10'	.188
BD4F11-.188	4.00"	11'	.188
BD4F12-.188	4.00"	12'	.188
BD4F13-.188	4.00"	13'	.188
BD4F14-.188	4.00"	14'	.188
BD5F10-.188	5.00"	10'	.188
BD5F11-.188	5.00"	11'	.188
BD5F12-.188	5.00"	12'	.188
BD5F13-.188	5.00"	13'	.188
BD5F14-.188	5.00"	14'	.188
BD5F15-.188	5.00"	15'	.188
BD5F16-.188	5.00"	16'	.188

Mounting slot for Ø1/2" anchor bolt. 4 required



MOUNTING DETAIL

Various heights and fixture configurations may require a different bolt circle. Consult factory for specific bolt circle required.

Material

Aluminum pole bases and base plates shall be cast from 356 aluminum alloy. Shafts shall be extruded 6061-T6 aluminum. Available in 3", 4" or 5" diameter. Wall thickness 0.125" or 0.188".

Mounting

Four anchor bolts provided are 1/2"x18" or 3/4"x18" depending on the pole height, fixture weight and mounting weight. Anchor bolts, nuts and washers are hot dipped galvanized steel. Spun aluminum bolt cover provided.

Access

All poles are provided with a hand access opening and cover. Hand hole cover is secured by two stainless steel machine screws. (Tamper-proof screws provided upon request) 1-1/2"Ø wireway hole provided on same side as access hole

Grounding

All poles are provided with an aluminum grounding lug integrated to inner wall of shaft, 180 degrees to hand hole. Grounding lug is drilled and tapped to accommodate 1/4-20 stainless steel machine screw.

Pole Height

Maximum pole height is 16-feet.

Accessories

Banner arms, ladder rests, signage, flag pole holder and GFI receptacles are optional.

Finish

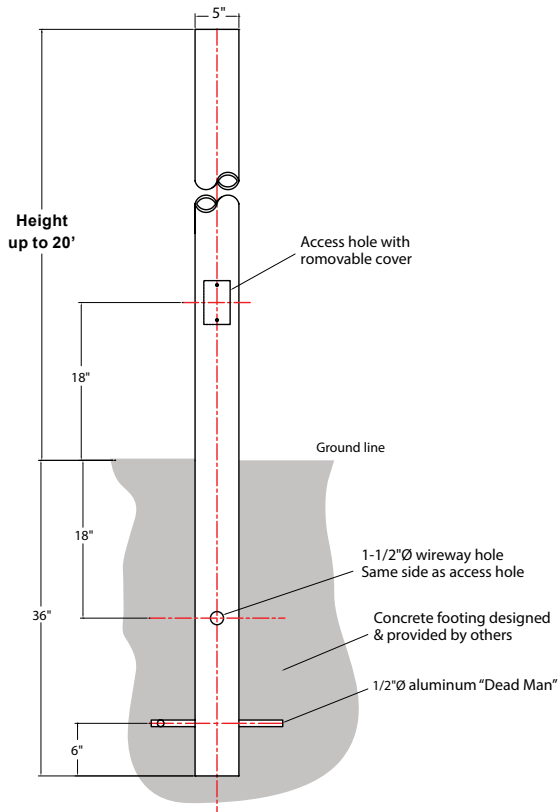
A polyester powder coat high quality finish is electro-statically applied and baked at 430° for exceptional durability and color retention. Products undergo an intensive five-step cleansing and pretreatment process for maximum paint adhesion.

Marine grade finish provides superior salt, humidity, and UV protection. This coating withstands up to 3000 hours of continuous salt spray, comes with a 5-year warranty and is available in either a textured or gloss surface.

Project: _____

Fixture Type: _____ Quantity: _____

Customer: _____



Material

Aluminum pole shall be extruded 6061-T6 aluminum. Available in 3", 4", or 5" diameter. Wall thickness 0.125" or 0.188".

Mounting

Concrete footing designed and provided by others. A 1/2"Ø aluminum "Dead Man" is provided.

Access

All poles are provided with a hand access opening and cover. Hand hole cover is secured by two stainless steel machine screws. (Tamper-proof screws provided upon request). 1-1/2"Ø wireway hole provided on same side as access hole.

Grounding

All poles are provided with an aluminum grounding lug integrated to inner wall of shaft, 180 degrees to hand hole. Grounding lug is drilled and tapped to accommodate 1/4"-20 stainless steel machine screw.

Pole Height

Maximum pole height is 20-feet.

Accessories

Banner arms, ladder rests, signage, flag pole holder and GFI receptacles are optional.

Finish

A polyester powder coat high quality finish is electro-statically applied and baked at 430° for exceptional durability and color retention. Products undergo an intensive five-step cleansing and pretreatment process for maximum paint adhesion.

Marine grade finish provides superior salt, humidity, and UV protection. This coating withstands up to 3000 hours of continuous salt spray, comes with a 5-year warranty and is available in either a textured or gloss surface.

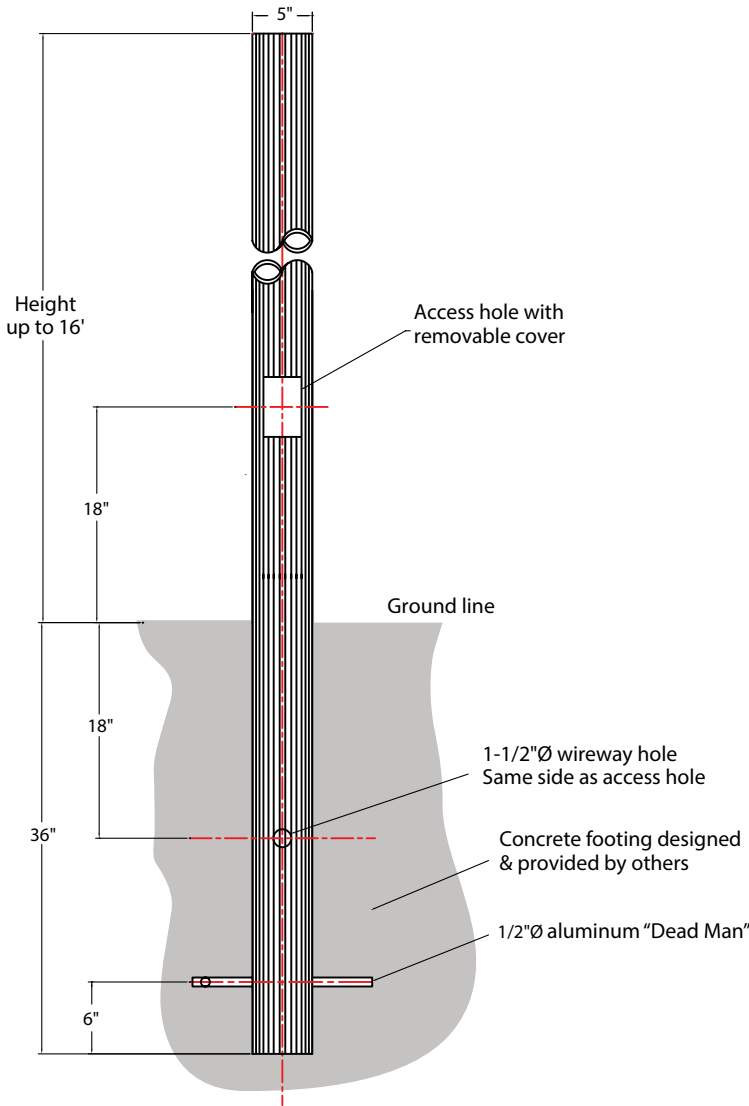
SMOOTH DIRECT BURIAL POLE OPTIONS

Item Number	OD	Height	Wall
DB3S3	3	3	0.125
DB3S4	3	4	0.125
DB3S5	3	5	0.125
DB3S6	3	6	0.125
DB3S7	3	7	0.125
DB3S8	3	8	0.125
DB3S9	3	9	0.125
DB3S10	3	10	0.125
DB3S11	3	11	0.125
DB3S12	3	12	0.125
DB4S3	4	3	0.125
DB4S4	4	4	0.125
DB4S5	4	5	0.125
DB4S6	4	6	0.125
DB4S7	4	7	0.125
DB4S8	4	8	0.125
DB4S9	4	9	0.125
DB4S10	4	10	0.125
DB4S11	4	11	0.125
DB4S12	4	12	0.125
DB4S13	4	13	0.125
DB4S14	4	14	0.125
DB4S5	4	5	0.188
DB4S6	4	6	0.188
DB4S7	4	7	0.188
DB4S8	4	8	0.188
DB4S9	4	9	0.188
DB4S10	4	10	0.188
DB4S11	4	11	0.188
DB4S12	4	12	0.188
DB4S13	4	13	0.188
DB4S14	4	14	0.188
DB4S15	4	15	0.188
DB4S16	4	16	0.188
DB5S6	5	6	0.125
DB5S7	5	7	0.125
DB5S8	5	8	0.125
DB5S9	5	9	0.125
DB5S10	5	10	0.125
DB5S11	5	11	0.125
DB5S12	5	12	0.125
DB5S13	5	13	0.125
DB5S14	5	14	0.125
DB5S15	5	15	0.125
DB5S16	5	16	0.125
DB5S17	5	17	0.125
DB5S18	5	18	0.125
DB5S19	5	19	0.125
DB5S20	5	20	0.125
DB5S7	5	7	0.188
DB5S8	5	8	0.188
DB5S9	5	9	0.188
DB5S10	5	10	0.188
DB5S11	5	11	0.188
DB5S12	5	12	0.188
DB5S13	5	13	0.188
DB5S14	5	14	0.188
DB5S15	5	15	0.188
DB5S16	5	16	0.188
DB5S17	5	17	0.188
DB5S18	5	18	0.188
DB5S19	5	19	0.188
DB5S20	5	20	0.188

Project: _____

Fixture Type: _____ Quantity: _____

Customer: _____



FLUTED DIRECT BURIAL POLE OPTIONS			
Item Number	OD	Height	Wall
DB3F6-.125	3.00"	6'	.125
DB3F7-.125	3.00"	7'	.125
DB3F8-.125	3.00"	8'	.125
DB3F9-.125	3.00"	9'	.125
DB3F10-.125	3.00"	10'	.125
DB4F8-.188	4.00"	8'	.188
DB4F9-.188	4.00"	9'	.188
DB4F10-.188	4.00"	10'	.188
DB4F11-.188	4.00"	11'	.188
DB4F12-.188	4.00"	12'	.188
DB4F13-.188	4.00"	13'	.188
DB4F14-.188	4.00"	14'	.188
DB5F10-.188	5.00"	10'	.188
DB5F11-.188	5.00"	11'	.188
DB5F12-.188	5.00"	12'	.188
DB5F13-.188	5.00"	13'	.188
DB5F14-.188	5.00"	14'	.188
DB5F15-.188	5.00"	15'	.188
DB5F16-.188	5.00"	16'	.188

Material

Aluminum pole shall be extruded 6061-T6 aluminum. Available in 3", 4", or 5" diameter. Wall thickness 0.125" or 0.188".

Mounting

Concrete footing designed and provided by others. A 1/2"Ø aluminum "Dead Man" is provided.

Access

All poles are provided with a hand access opening and cover. Hand hole cover is secured by two stainless steel machine screws. (Tamper-proof screws provided upon request) 1-1/2"Ø wireway hole provided on same side as access hole

Grounding

All poles are provided with an aluminum grounding lug integrated to inner wall of shaft, 180 degrees to hand hole. Grounding lug is drilled and tapped to accommodate ¼"-20 stainless steel machine screw.

Pole Height

Maximum pole height is 16-feet.

Accessories

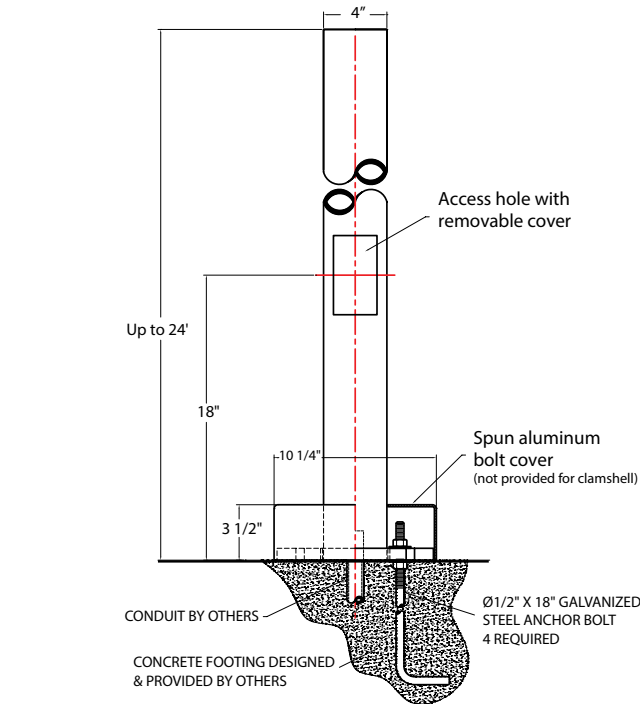
Banner arms, ladder rests, signage, flag pole holder and GFI receptacles are optional.

Finish

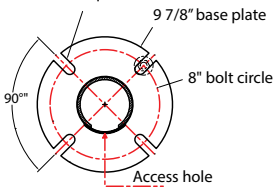
A polyester powder coat high quality finish is electro-statically applied and baked at 430° for exceptional durability and color retention. Products undergo an intensive five-step cleansing and pretreatment process for maximum paint adhesion.

Marine grade finish provides superior salt, humidity, and UV protection. This coating withstands up to 3000 hours of continuous salt spray, comes with a 5-year warranty and is available in either a textured or gloss surface.

Project: _____
 Fixture Type: _____ Quantity: _____
 Customer: _____



Mounting slot for Ø1/2" anchor bolt. 4 required



MOUNTING DETAIL

Various heights and fixture configurations may require a different bolt circle. Consult factory for specific bolt circle required.

Material

One-piece non-tapered round shaft of low carbon steel (ASTM-A500 Grade B, 42,000 PSI min. yield) with one flush-welded vertical seam. Shaft is welded to a flat steel anchor base (ASTM-36, 36,000 PSI min. yield). Wall thickness is 11 gauge or 7 gauge.

Mounting

Four anchor bolts provided are 1/2"x18" or 3/4"x18" depending on the pole height, fixture weight and mounting weight. Anchor bolts, nuts and washers are hot dipped galvanized steel. Spun aluminum bolt cover provided.

Access

All poles are provided with a hand access opening and cover. Hand hole cover is secured by two stainless steel machine screws. (Tamper-proof screws provided upon request).

Grounding

All poles are provided with an aluminum grounding lug integrated to inner wall of shaft, 180 degrees to hand hole. Grounding lug is drilled and tapped to accommodate 1/4-20 stainless steel machine screw.

Pole Height

Maximum pole height is 24-feet.

Accessories

Banner arms, ladder rests, signage, flag pole holder and GFI receptacles are optional.

Finish

A polyester powder coat high quality finish is electro-statically applied and baked at 430° for exceptional durability and color retention. Products undergo an intensive five-step cleansing and pretreatment process for maximum paint adhesion. Marine grade finish provides superior salt, humidity, and UV protection. This coating withstands up to 3000 hours of continuous salt spray, comes with a 5-year warranty and is available in either a textured or gloss surface.

SMOOTH STEEL BOLT DOWN POLE OPTIONS			
Item Number	OD	Height	Wall
BD3STLS8-11	3.00"	8'	11g
BD3STLS10-11	3.00"	10'	11g
BD3STLS12-11	3.00"	12'	11g
BD3STLS14-11	3.00"	14'	11g
BD3STLS16-11	3.00"	16'	11g
BD3STLS18-11	3.00"	18'	11g
BD3STLS20-11	3.00"	20'	11g
BD3STLS8-7	3.00"	8'	7g
BD3STLS10-7	3.00"	10'	7g
BD3STLS12-7	3.00"	12'	7g
BD3STLS14-7	3.00"	14'	7g
BD3STLS16-7	3.00"	16'	7g
BD3STLS18-7	3.00"	18'	7g
BD3STLS20-7	3.00"	20'	7g
BD3STLS22-7	3.00"	22'	7g
BD3STLS24-7	3.00"	24'	7g
BD4STLS8-11	4.00"	8'	11g
BD4STLS10-11	4.00"	10'	11g
BD4STLS12-11	4.00"	12'	11g
BD4STLS14-11	4.00"	14'	11g
BD4STLS16-11	4.00"	16'	11g
BD4STLS18-11	4.00"	18'	11g
BD4STLS20-11	4.00"	20'	11g
BD4STLS8-7	4.00"	8'	7g
BD4STLS10-7	4.00"	10'	7g
BD4STLS12-7	4.00"	12'	7g
BD4STLS14-7	4.00"	14'	7g
BD4STLS16-7	4.00"	16'	7g
BD4STLS18-7	4.00"	18'	7g
BD4STLS20-7	4.00"	20'	7g
BD4STLS22-7	4.00"	22'	7g
BD4STLS24-7	4.00"	24'	7g