

Project: _____

Fixture Type: _____ Quantity: _____

Customer: _____



Specifications

Material:
All parts are durable 356 cast aluminum. All hardware provided shall be stainless steel or zinc plated steel.

Lens:
Standard polycarbonate lens. Uplight provided.

Fixture Mounting:
Post Mount: Post Cap with set screws.
Pendant Mount: Pin mount to tenon.
Fits 3" and 4" poles.

Electrical:
Medium Base Socket or GU24 Socket.

Approximately 12" of pull wire extends from luminaire. Additional pull wire provided for post mount arms and wall mounts.

Finish:
A polyester powder coat high quality finish is electro-statically applied and baked at 430° for exceptional durability and color retention. Products undergo an intensive five-step cleansing and pretreatment process for maximum paint adhesion.

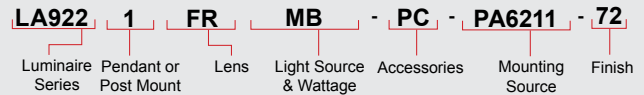
Marine grade finish provides superior salt, humidity and UV protection. This coating withstands up to 3000 hours of continuous salt spray, comes with a 5-year warranty and is available in either a textured or gloss surface.

Modifications:
Consult factory for custom or modified designs.

**LA922
Medium Base**

Weight: 28.0 lbs
EPA: 2.15

Catalog Logic



Catalog Number	1	2	3	4	5	6
LA922						

1	FIXTURE ORIENTATION
1	Post
3	Pendant

2	LENS
FR	(Frosted Acrylic)
PR	(Prismatic Acrylic)
SE	(Seeded Acrylic)
WH	(White Opal Acrylic)

3	FIXTURE ORIENTATION
MB	(Medium Base Socket)
GU24	(GU24 Socket)

4	ACCESSORIES
HSS90	(90° House Side Shield, polished)
HSS120	(120° House Side Shield, polished)
**4ST36	(3 Ft, 1 1/4" Ridged Stem & Canopy)
**PEND-CH3	(3 Ft Pendant Chain & Canopy)
HLMSPC-06	(High-Low Motion Sensor/Photocell; 15' - 30' Sensor Mounting Height)
HLMSPC-10	(High-Low Motion Sensor/Photocell; 8' - 15' Sensor Mounting Height)
PC	(Button Photo Cell)
SP	(Surge Protector, 10kA & 10kV)
TLPC	(Twist Lock photo cell, includes receptacle & photo cell)
TL5	(5-pin Twist Lock receptacle)
TL7	(7-pin Twist Lock receptacle)
*For Emergency lumen output data, see Resources section at www.ANPlighting.com .	
**Accessory finish will match fixture finish.	

5	MOUNTING SOURCE			
	Post Mount Arms		Wall Mount Arms	
	*See Page 2 for Style/Size		*See Page 2 for Style/Size	
PA3111	PA8521	WM4511	WM8581	
PA3113	PA8523	WM4513	WM8583	
PA5151		WM5131		
PA5153		WM5133		
PA5411		WM5161		
PA5413		WM5163		
PA6211		WM5601		
PA6213		WM5603		
PA8031		WM6111		
PA8033		WM6113		
	Column Mount			
	*See Page 2 for Style/Size			
CM	Column Mount			

WARRANTY
See www.ANPlighting.com for complete fixture warranty.
*Limited Warranty: A typical year is defined as 4380 hours of operation.

6	FINISHES					
	*Premium and Marine Grade Finish have additional charges					
	Standard Colors	Standard Grade	Marine Grade*	Standard Colors	Standard Grade	Marine Grade*
Aspen Green		10	10M	Architectural Bronze	51	51M
Cantaloupe		11	11M	Patina Verde	52	52M
Lilac		12	12M	Copper Clay	53	53M
Putty		13	13M	Silver	56	56M
Raw Unfinished		40	NA	Black Verde	61	61M
Black		41	41M	Painted Chrome	70	70M
Forest Green		42	42M	Painted Copper	71	71M
Bright Red		43	43M	Textured Black	72	72M
White		44	44M	Matte Black	73	73M
Bright Blue		45	45M	Textured Architectural Bronze	76	76M
Sunny Yellow		46	46M	Textured White	77	77M
Aqua Green		47	47M	Textured Silver	78	78M
Galvanized		49	NA	PREMIUM FINISH	Premium Grade*	Marine Grade*
Navy		50	50M	Carbon Graphite	96	96M
Consult Factory for additional paint charges and availability.						






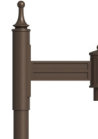






Project: _____

Fixture Type: _____ Quantity: _____

Customer: _____

POST MOUNTS - See Post Arm Section on Website for Specification Sheets and additional post arms.
Dimensions are Projection x Height






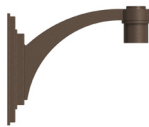




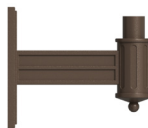
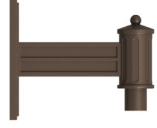
COLUMN MOUNT

 PA3111 / 25" x 15 1/4"	 PA3113 / 25" x 15 1/4"	 PA5151 / 14 1/4" x 19 3/4"	 PA5153 / 14 1/4" x 19 3/4"
 PA5411 / 17 7/8" x 25 1/8"	 PA5413 / 17 7/8" x 25 1/8"	 PA6211 / 22 3/4" x 26 1/2"	 PA6213 / 22 3/4" x 26 1/2"
 PA8031 / 20 1/2" x 20 1/4"	 PA8033 / 20 1/2" x 20 1/4"	 PA8521 / 18 1/4" x 14 1/2"	 PA8523 / 18 1/4" x 14 1/2"



CM / 5 3/4" SQ x 3 1/2" H

WALL MOUNTS - See Wall Mount Section on Website for Specification Sheets and additional wall mount arms.
Dimensions are Projection x Height.

 WM4511 / 17" x 8"	 WM4513 / 17" x 8"	 WM5131 / 11" x 16 3/8"	 WM5133 / 11" x 16 3/8"	 WM5161 / 15 3/4" x 13 3/4"	 WM5163 / 15 3/4" x 13 3/4"
 WM5601 / 17 7/8" x 14"	 WM5603 / 17 7/8" x 14"	 WM6111 / 20 3/8" x 24"	 WM6113 / 20 3/8" x 24"	 WM8581 / 17 1/8" x 17 1/2"	 WM8583 / 17 1/8" x 17 1/2"

ACCESSORIES

 HSS90 & HSS120	 4ST36	 PEND-CH3	 HLMSPC-06 & HLMSPC-10	 PC	 TLPC
 TL5 & TL7					