

LA220 | 230 Series

ANP Lighting Pedestrian & Site Lighting Collection



LED Technologies

Performance TIR Optics | COB Economy LED



LA2231



LA2331

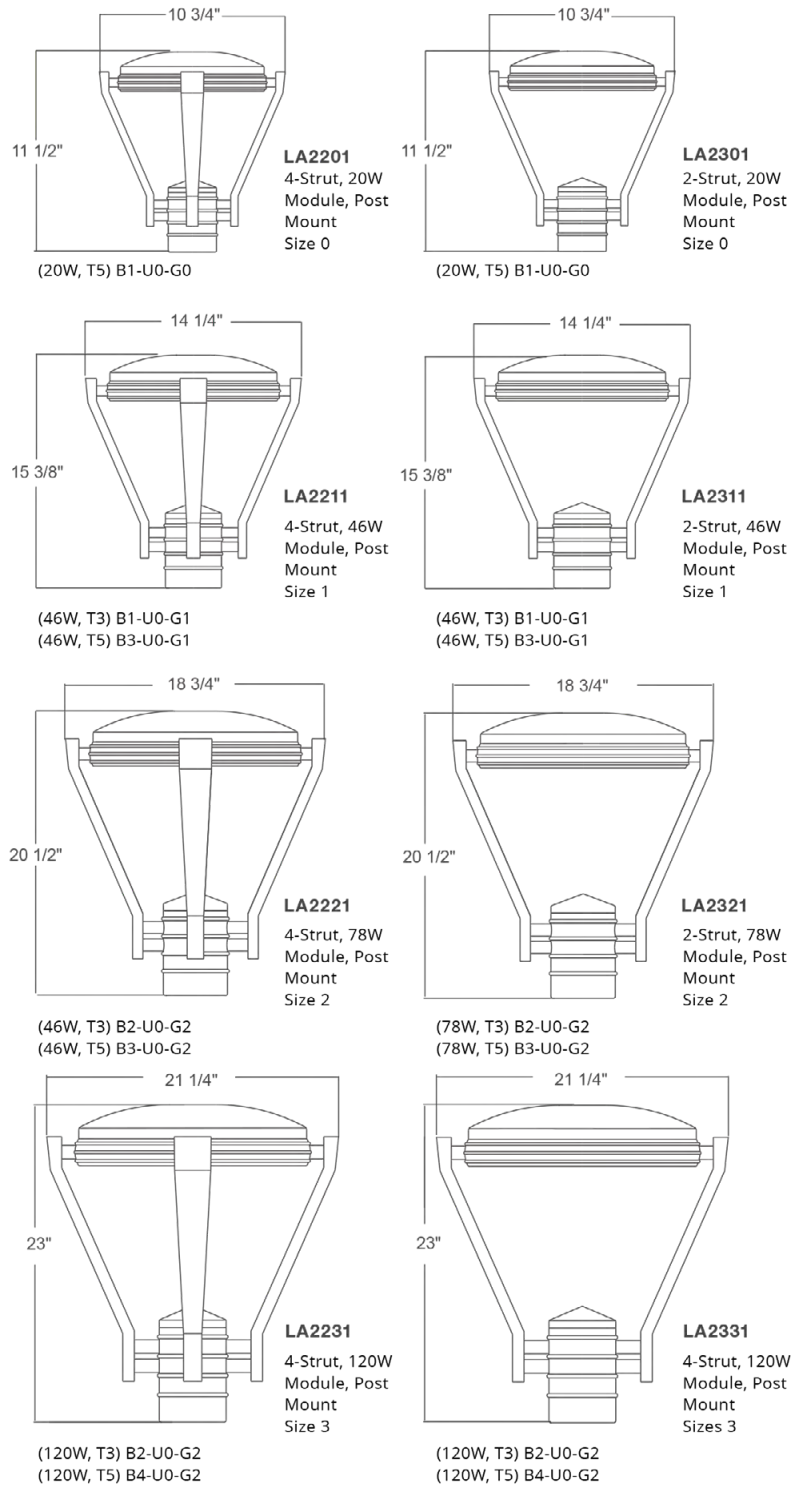
With its stunning profile for pedestrian and site lighting, the 220/230 collection offers three size options plus a bollard to create a seamless transition from parking lots to walkways. Compatible with post tops, post arms, and wall mounts. Available in 2-strut or 4-strut configurations.

Adding to the bold styling, energy-efficient, high-performance lighting is achieved with either a TIR performance LED or an economy COB LED, depending on luminaire size. All heads are full-cutoff, dark sky friendly. 590nm turtle-friendly True Amber LED available with TIR optics. Dimming protocol is 0-10V. Available dusk-till-dawn photocell or an ANSI C136.41 photocontrol receptacle to support any 3rd party control system.

The 220/230 collection is manufactured from durable, high-quality cast and spun aluminum.

Build a Product

LUMINAIRES	
LA22	4-strut
LA23	2-strut
SIZE	
0	11-1/2" H x 10-3/4" W
1	15-3/8" H x 14-1/4" W
2	20-1/2" H x 18-3/4" W
3	23" H x 21-1/4" W
ORIENTATION	
1	Post
WATTAGE	
AM10W	10W ANP Module COB (Size 0 only)
AM20W	20W ANP Module COB (Size 0 only)
AM30W	30W ANP Module COB (Size 0 only)
CPS30W18	30W TIR Performance Platform (Size 1, 2, 3 only)
CPS39W18	39W TIR Performance Platform (CA Title 24) (Size 1, 2, 3 only)
CPS46W18	46W TIR Performance Platform (Size 1, 2, 3 only)
CPM78W30	78W TIR Performance Platform (Size 2, 3 only)
CPM90W36	90W TIR Performance Platform (Size 2, 3 only)
CPL120W48	120W TIR Performance Platform (Size 3 only)
OPTICS	
T2	Type II (Size 1, 2, 3 only)
T3	Type III (Size 1, 2, 3 only)
T4	Type IV (Size 1, 2, 3 only)
T5	Type V
CCT COLOR TEMPERATURE	
27K	2700K
30K	3000K
35K	3500K
40K	4000K
AMB	590nm True Amber Turtle-Friendly (Size 1, 2, 3 only)
ACCESSORIES	
PC	Dusk-Till-Dawn Button Photocell
TLPC	(ANSI C136.41 Twist Lock Photocell, includes receptacle and 120-277V photo cell)
TL5	(ANSI C136.41 5-Pin Twist Lock Receptacle only)
TL7	(ANSI C136.41 7-Pin Twist Lock Receptacle only)
FINISH	
Visit anlighting.com/resources/color-finishes	



Product Number Example

LUMINAIRE	SIZE	ORIENTA-TION	WATTAGE	OPTICS	COLOR	ACCESSORY	FINISH
LA22	2	1	CPS46W18	T5	40K	PC	41



LA2231
PA2211-2



LA2231
PA2221-2

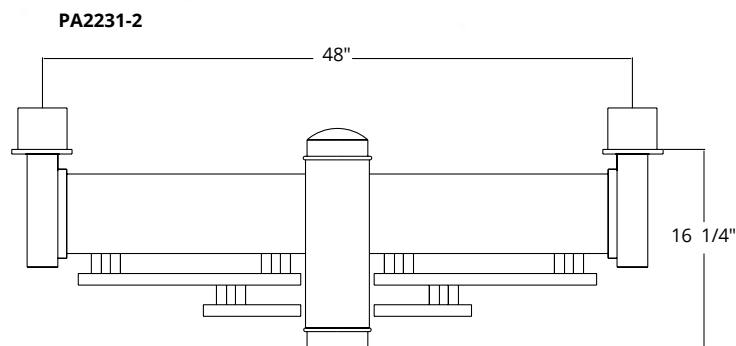
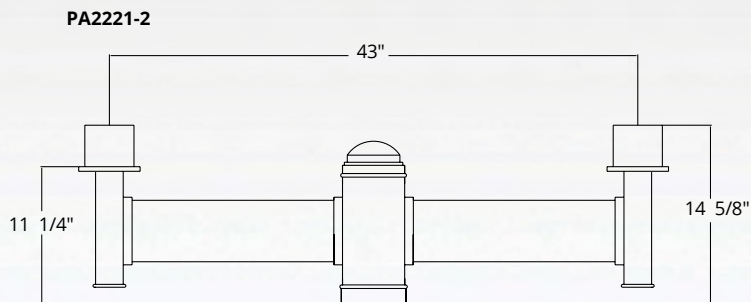
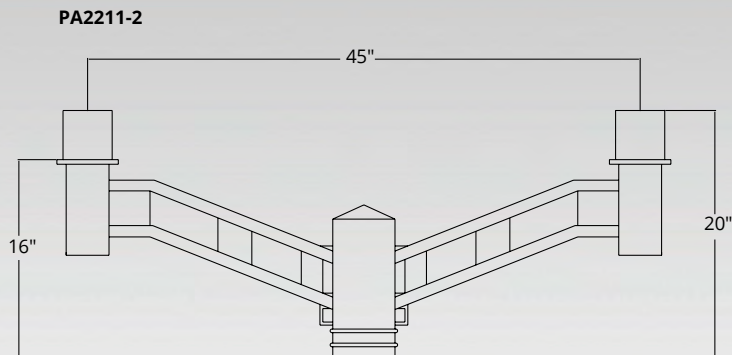


LA2231
PA2231-2

220 | 230 Series Mounts

Post Arms | Available in 3 styles

PA2211-2-LA2231 | PA2221-2-LA2231 | PA2231-2-LA2231





LA2311
WM2211



LA2211
WM2221

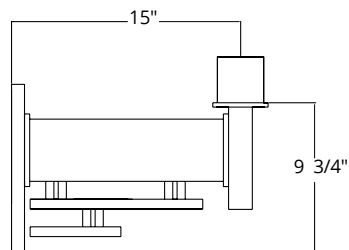
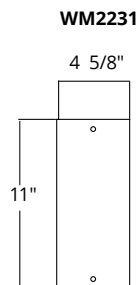
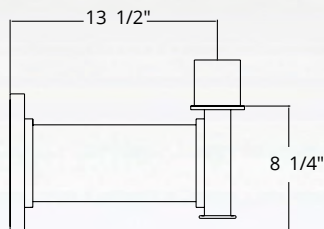
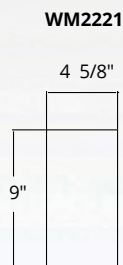
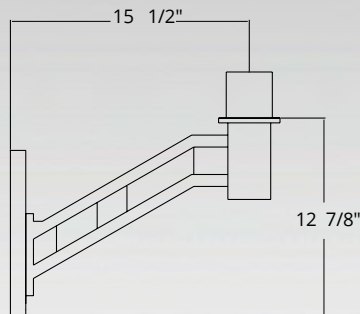
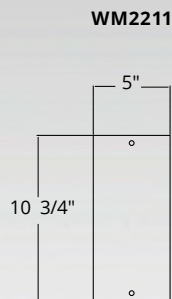


LA2311
WM2231

220 | 230 Series Mounts

Wall Mount | Available in 3 styles

WM2211-LA2231 | WM2221-LA2211 | WM2231-LA2311





BL220

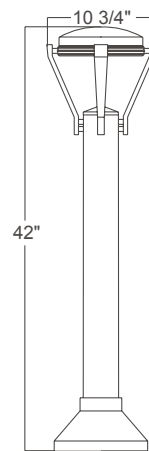
BL230

These bollards have a TIR performance optic and come in 10W, 18W, 32W. 2700K, 3000K, 3500K, 4000K, and a 590nm turtle-friendly True Amber LED.

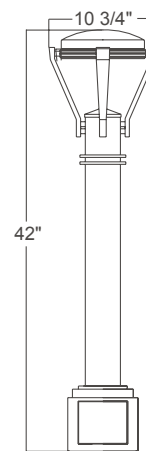
Dimming protocol is 0-10V, TRIAC & ELV (1%)

Build a Product

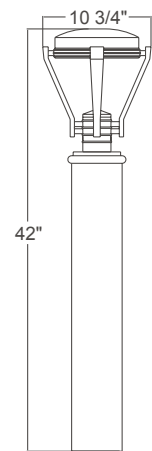
BOLLARDS	
BL2201	4-strut
BL2202	4-strut
BL2203	4-strut
BL2301	2-strut
BL2302	2-strut
BL2303	2-strut
WATTAGE	
A010LD2	10W LED Array
A018LD4	18W LED Array
A032LD8	32W LED Array
OPTICS	
T1	Type I
T2	Type II
T3	Type III
T5	Type V
CCT COLOR TEMPERATURE	
27K	2700K
30K	3000K
35K	3500K
40K	4000K
AMB	590nm True Amber Turtle-Friendly
FINISH	
Visit anplighting.com/resources/color-finishes	



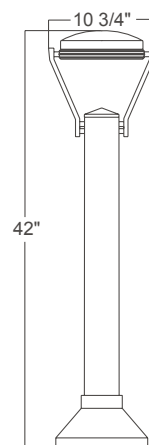
BL2201
4-strut



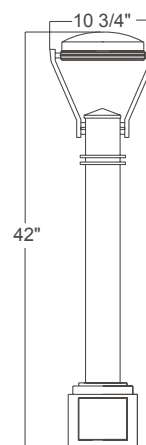
BL2202
4-strut



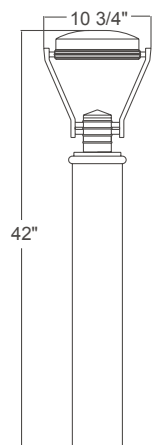
BL2203
4-strut



BL2301
2-strut



BL2302
2-strut

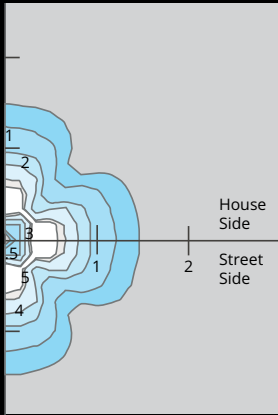


BL2303
2-strut

Product Number Example

BOLLARD	WATTAGE	OPTICS	COLOR	ACCESSORY	FINISH
BL2201	A032LD8	T5	40K		41





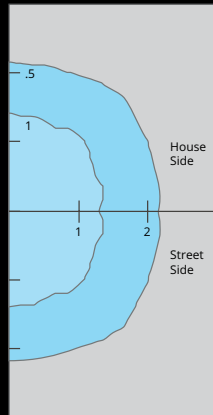
Distance In Units Of Mounting Height
Values Based on 10 Foot Mounting Height

LA2201-AM20W-40K

Fixture lumens – 1,424

Mounting height – 10.0 ft.

B1-U0-G0



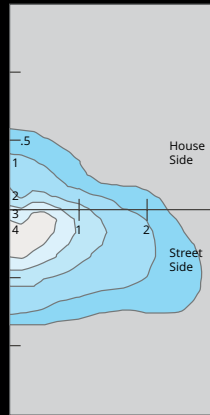
Distance In Units Of Mounting Height
Values Based on 16 Foot Mounting Height

LA2211-CPS46W18-T5-35K

Fixture lumens – 5,403

Mounting height – 16.0 ft.

B3-U0-G1



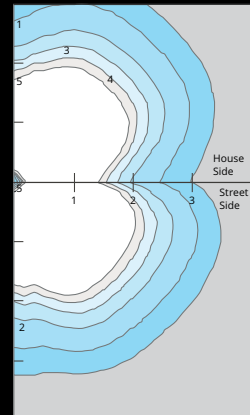
Distance In Units Of Mounting Height
Values Based on 25 Foot Mounting Height

LA2231-CPL120W48-T3-40K

Fixture lumens – 13,426

Mounting height – 25.0 ft.

B2-U0-G2



Distance In Units Of Mounting Height
Values Based on 3.5 Foot Mounting Height

BL2201-A032LD8-T5-40K

Fixture lumens – 3,166

Mounting height – 3.5 ft.

B2-U0-G1

MLO and BUG Rating Guide

The Model Lighting Ordinance (MLO) is a guide for environmentally responsible outdoor lighting in North America and is the result of extensive efforts by the International Dark Sky Association (IDA) and the Illuminating Engineering Society of North America (IESNA).

Download this [BUG Rating Quick Reference Guide](#) from our Resource Library.

Since 1985, ANP Lighting has been inspiring and empowering innovative lighting solutions.

Today, ANP Lighting is a leading manufacturer of energy efficient architectural lighting solutions for corporate/office, municipal, education, sports and entertainment, hospitality, and retail applications. We expertly configure and manufacture interior, exterior, site, pedestrian, and roadway lighting that aligns with aesthetic vision and beautifully illuminates design details.

Our extensive line of lighting products and collections is complemented by a wide array of mounting, size, and color options – one of the largest selections in the industry. Our in-house lighting experts can help architects, designers, and specifiers develop lighting solutions with the high quality, craftsmanship, and value only products made in the U.S.A. can deliver.



Marine grade finishes are available. Colors shown may differ slightly from painted color.



Made in U.S.A. | A Family-Owned Business Since 1985



800-548-3227 | 909-982-1807

9044 Del Mar Avenue, Montclair, CA 91763

February 2025