

Site Lighting Collection



Luminaires

3 sizes

Post arms

2 sizes

Wall mount



LED technology

powered by Nichia® & Cree®



***ANP* Lighting**
INNOVATIVE SITE LIGHTING



Available in 3 sizes



LA2111

LA2121

LA2131

4
Strut

LA2111 | LA2121 | LA2131
24w | 37w | 46w | 78w | 117w
4-strut, post and wall mount

Sleek, contemporary architectural lighting collection with high-performance LED technology powered by Nichia® and Cree®.

The modern, minimalist design of the LA210 collection is a striking complement for streetscapes, pedestrian areas and parks, commercial developments, and multifamily communities. Four sturdy struts connect to a large, heavy-duty spun aluminum hood and solid cast base for a low profile and long life.

Available in three sizes, the LA210 collection offers energy-efficient, high-performance lighting with multiple LED offerings:

24w/37w low-cost Cree modules; L70 50,000 hours | Type V only | 46w/78w/117w high-performance LED platforms powered by Nichia; L70 60,000 | 115 to 125 lumens per watt | Type II, III or V distribution.

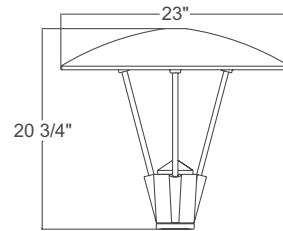
Fully compatible with wireless control systems, the LA210 collection also offers optional dimming to 10%. Additionally, all LED platforms have a U0 BUG rating (full cut-off).



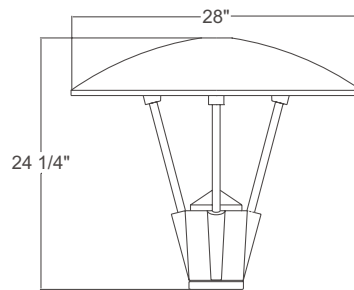
210 Series Post and wall mount available in three sizes

Build A Product

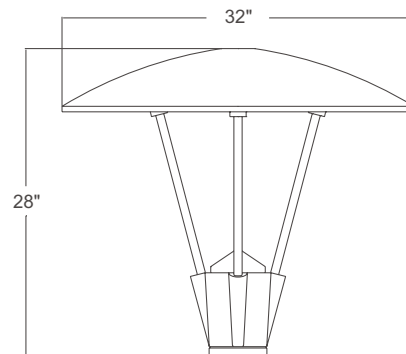
LUMINAIRES	
LA21	4-strut
SIZE	
1	20-3/4" H x 23" W
2	24-1/4" H x 28" W
3	28" H x 32-1/2" W
ORIENTATION	
1	Post
WATTAGE	
M024LD	24-watt Cree LED module
M037LD	37-watt Cree LED module
P046LD4	46-watt platform
P078LD4	78-watt platform (Size 2 and 3 only)
P117LD4	117-watt platform (Size 3 only)
DIMMING	
D	Dimming (0-10v)
N	No Dimming
OPTICS	
T2	Type II
T3	Type III
T5	Type V (M024, M037 are T5 only)
COLOR TEMPERATURE (CCT)	
27K	2700K
30K	3000K (M024, M037 only)
35K	3500K
40K	4000K
50K	5000K (P046, P078, P117 only)
ACCESSORIES	
HSS	House Side Shield (120°)
PC	Photo cell
TLPC	Twist lock photo cell
FINISH	
	Visit anplighting.com/products/color-finishes



LA2111:
4-strut, 46w
module, post mount
Size 1
(46w, T3) B1-U0-G1
(46w, T5) B2-U0-G1



LA2121:
4-strut, 78w
module, post mount
Size 2
(78w, T3) B1-U0-G1
(78w, T5) B3-U0-G1

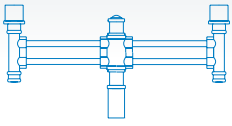


LA2131:
4-strut, 117w
module, post mount
Size 3
(117w, T3) B3-U0-G2
(117w, T5) B3-U0-G2

Product Number Sample

LUMINAIRE	SIZE	ORIENTATION	WATTAGE	DIMMING	OPTICS	COLOR TEMP	ACCESSORY	SHADE FINISH	FITTER/STRUT FINISH
LA 21	2	1	P078LD4	N	T5	40K	PC	72	78





Post arms
210 Series

Available in 2 sizes

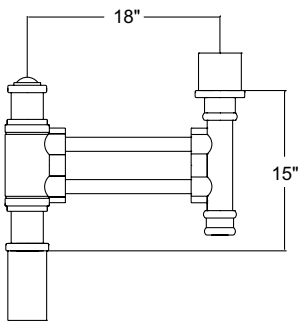


PA2141-2-LA2121

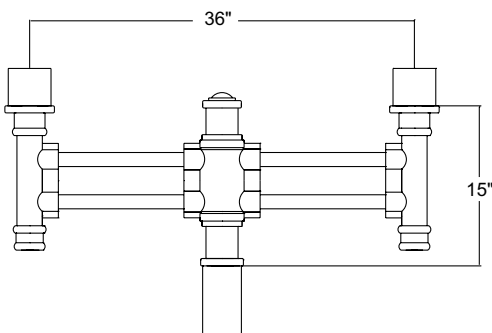


PA2151-2-LA2131

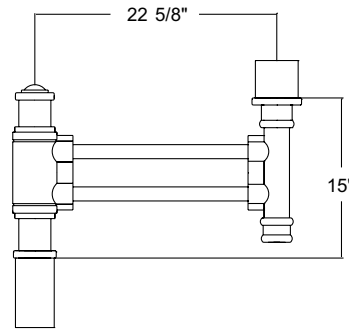
PA2141-1



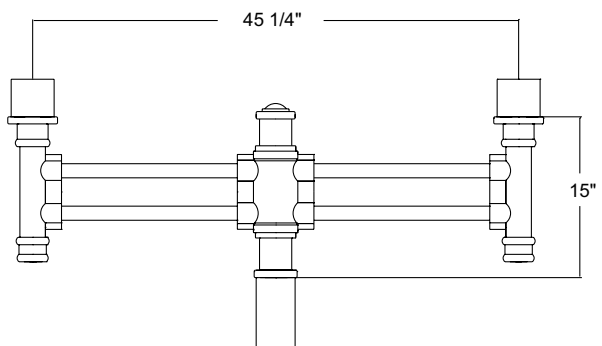
PA2141-2



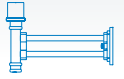
PA2151-1



PA2151-2



Wall mount
210 Series

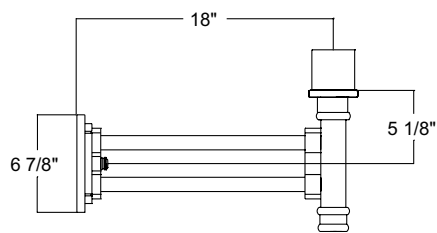


Available in 1 style



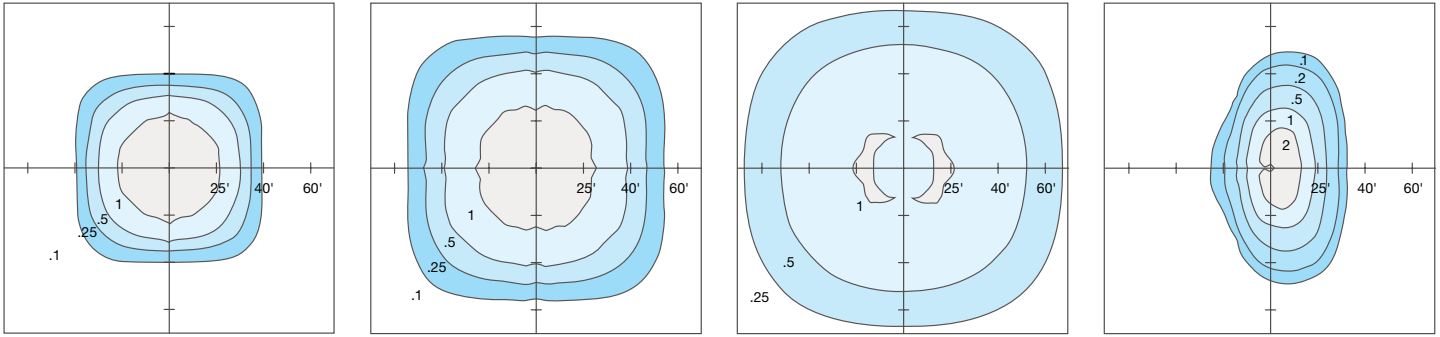
WM2141-LA2111

WM2141



Call or visit: 800.548.3227 | ANPIlighting.com

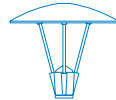
PHOTOMETRICS



LA2111-046LD4-T5-50K
 Light loss factor - 1.0
 Fixture lumens - 4229
 Mounting height - 14.0 ft.
 B2-U0-G1



LA2121-078LD4-T5-50K
 Light loss factor - 1.0
 Fixture lumens - 7034
 Mounting height - 20.0 ft.
 B3-U0-G1



LA2131-117LD4-T5-50K
 Light loss factor - 1.0
 Fixture lumens - 11419
 Mounting height - 30.0 ft.
 B1-U0-G2



LA2111-P046LD4-T3-50K
 Light loss factor - 1.0
 Fixture lumens - 4229
 Mounting height - 14.0 ft.
 B2-U0-G1

MLO & BUG Rating Guide

The Model Lighting Ordinance (MLO) is a guide for environmentally responsible outdoor lighting in North America and is the result of extensive efforts by the International Dark Sky Association (IDA) and the Illuminating Engineering Society of North America (IESNA).

For a BUG Rating Quick Reference Guide, visit www.ANPLighting.com and click the Resource tab.

Since 1985, ANP Lighting has been skillfully integrating design aesthetics, engineering excellence, and advancing technology to manufacture the industry's only all-LED line of decorative architectural lighting and warehouse-inspired RLM fixtures. With our privately owned foundry and spinning facilities and in-house engineering department, we can quickly and cost-effectively modify any product to deliver an affordable custom solution. We empower architects, engineers, and specifiers to meet the growing demand for energy conservation, sustainability, and environmental design inspiration.

We design and manufacture the largest selection of LED decorative architectural lighting available today, including luminaires, bases, poles, and bollards, and are recognized as the #1 manufacturer of RLM fixtures and mountings in the industry.



Contact Us: 800-548-3227 | 909-982-1807

ANPLighting.com

9044 Del Mar Avenue, Montclair, CA 91763

ANP Lighting Custom Paint Combinations

Create a one-of-a-kind paint finish.

Product shown in two standard finishes.