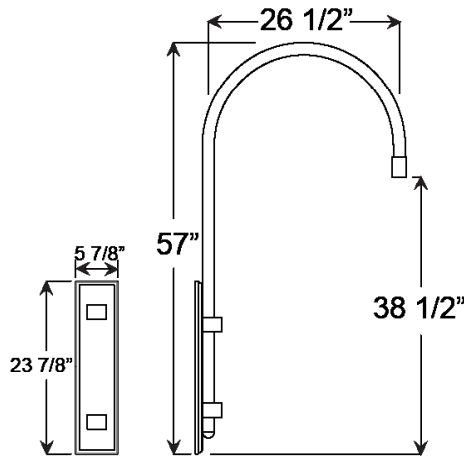




Quick Ship



Project: _____
 Fixture Type: _____ Quantity: _____
 Customer: _____



Weight: 9.5 lbs
 EPA: 1.15

Specifications

General:
 Due to size or weight, arm mounts may not accommodate all ANP luminaires.

Material:
 All parts are durable 356 cast aluminum and high strength extruded aluminum. All hardware provided shall be stainless steel or zinc plated steel.

Wall Mount:
 Mounting hardware by others.

Fixture Mounting:
 Pin mount to tenon.

Electrical:
 Pull wire provided.

Modifications:
 Consult factory for custom or modified arm.

Q-WM161 - WALL MOUNT

Wall mount for pendant fixture.

Catalog Logic

Q-WM161 - 3 - 76

Wall Mount Style Pendant Post Finish

Catalog Number

Q-WM161 - 3 - 76

1 MOUNTING TYPE

3- Pendant

2 FINISHES

Standard Grade	Marine Grade		Standard Grade	Marine Grade	
40	NA	Raw Unfinished	53	100	Copper Clay
41	101	Black	56	109	Silver
42	102	Forest Green	61	106	Black Verde
43	114	Bright Red	70	118	Painted Chrome
44	107	White	71	105	Painted Copper
45	112	Bright Blue	72	108	Textured Black
46	123	Sunny Yellow	73	125	Matte Black
47	120	Aqua Green	76	121	Textured Architectural Bronze
49	NA	Galvanized	77	127	Textured White
50	111	Navy	78	124	Textured Silver
51	103	Architectural Bronze	10	130	Aspen Green
52	104	Patina Verde	11	131	Cantaloupe
12	133	Lilac	13	132	Putty

Consult factory for additional paint charges and availability