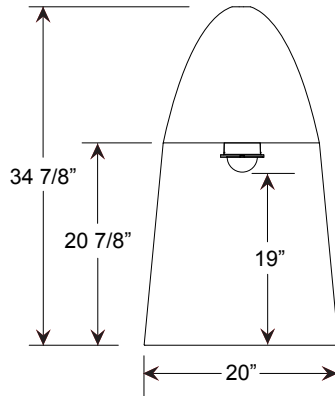


Project: _____

Fixture Type: _____ Quantity: _____

Customer: _____



Specifications

Material:
Dome top is constructed of heavy duty spun aluminum.
Shade is of a hard back fabric.
Driver housing is constructed of heavy duty spun aluminum.
All fasteners are stainless steel.
Screw hardware may not match paint.

Electrical:
Universal voltage 120-277 is standard. 0-10V, TRIAC and ELV dimming to 1% protocols are standard for LED modules.

See page 2 table for LED module and driver specs, voltage and dimming protocols.



Certifications:
UL Listed for dry locations.

Finish:
A polyester powder coat high quality finish is electro-statically applied and baked at 430° for exceptional durability and color retention. Products undergo an intensive five-step cleansing and pretreatment process for maximum paint adhesion.

Modifications:
Consult factory for custom or modified designs.

**OSPBF20
LED**

Weight: 11.0 lbs

Catalog Logic

OSPBF20 GY - M024LDD W 40K - CRD-DCC - BLSF - N/A - 41 - UNV
RLM Style Fabric Light Source, Wattage Distribution & Dimming CCT Driver Housing Mounting Accessories Finish Voltage

Catalog Number	1	2	3	4	5	6	7	8	9
	OSPBF20	-							UNV

1 FABRIC SHADE

BG	(Beige Hard Back Fabric)
BK	(Black Hard Back Fabric)
GY	(Gray Hard Back Fabric)
CUST	(Custom Hard Back Fabric)

2 LIGHT SOURCE & WATTAGES

M009LDD	(9w, 850 lumen, Cree module)
M010LDD	(10w, 1250 lumen, Cree module)
M016LDD	(16w, 2000 lumen, Cree module)
M024LDD	(24w, 3000 lumen, Cree module)

3 DISTRIBUTION

W	(T5 Wide Distribution with Dome LED Lens)
N	(T5 Narrow Distribution with Flat LED Lens)

4 COLOR TEMPERATURE (CCT)

27K	(2700K)
30K	(3000K)
35K	(3500K)
40K	(4000K)

5 DRIVER HOUSINGS*
(Driver Housing only Required with Color Cord and/or Emergency Backup Options)

Color Cord Driver Housing Options
Choose Color Cord Style in Box 5

CRD-DCC (Driver Housing for Color Cord only; 7 3/4" x 1 1/2")

SSC-DCC (Driver Housing for SS Cable/Color Cord only; 7 3/4" x 1 1/2")

Emergency Backup Driver Housing Options

CRD-DCCEM-BLC (Emergency Ballast Housing for Black Cord only; 12" x 1 1/2")
Choose NA in Box 5

CRD-DCCEM-WHC (Emergency Ballast Housing for White Cord only; 12" x 1 1/2")
Choose NA in Box 5

CRD-DCCEM (Emergency Ballast Housing for Color Cord only; 12" x 1 1/2")
Choose Color Cord Style in Box 5

ST-DCCEM (Emergency Ballast Housing for Stem only; 12" x 1 1/2")
Choose Stem Size in Box 5

SSC-DCCEM-BLC (Stainless steel cable with 6-foot black cord and 12" canopy)
Choose NA in Box 5

SSC-DCCEM-WHC (Stainless steel cable with 6-foot white cord and 12" canopy)
Choose NA in Box 5

SSC-DCCEM (Emergency Ballast Housing for SS Cable/Color Cord only; 12" x 1 1/2")
Choose Color Cord Style in Box 5

*Driver Housing finish will match fixture finish.

6 MOUNTING SOURCES*

Cable Mounts
(See page 4 for color cord style)

SSC-BLC (Stainless steel cable with 6-foot black cord and 5 3/8" canopy)

SSC-WHC (Stainless steel cable with 6-foot white cord and 5 3/8" canopy)

6 MOUNTING SOURCES (Continued)*

Cord Mounts
(See page 4 for color cord style)

NA No Selection Required if:
CRD-DCCEM-WHC; CRD-DCCEM-BLC or SSC-DCCEM-WHC is chosen in Box 4.

SJT Cord

BLC (6' Black SJT Cord)	WHC (6' White SJT Cord)
--------------------------------	--------------------------------

Solid Fabric Colored Cords
Must Choose DCC Housing in Box 4

BLSF (6' Black)	ORSF (6' Orange)
GYSF (6' Gray)	LGSF (6' Lime Green)
CHSF (6' Chocolate Brown)	KGSF (6' Kelly Green)
WHSF (6' White)	CBSF (6' Cobalt Blue)
CASF (6' Cardinal)	SBSF (6' Sky Blue)

Patterned Fabric Colored Cords
Must Choose DCC Housing in Box 4

BWHPF (6' Black/White Houndstooth)	BIHPF (6' Brown/Ivory Houndstooth)
GYCPF (6' Gray/Citrus Yellow)	MOSPF (6' Magenta/Orange Stripe)
NMTPF (6' Navy Mini Tweed)	

Glossy Fabric Colored Cords
Must Choose DCC Housing in Box 4

GMGF (6' Gun Metal)	SSGF (6' Sterling Silver)
CPGF (6' Copper Penny)	BRGF (6' Bronze)
GOGF (6' Gold)	

Stem Mounts*

1/4" (1/2" OD Stems with 45° Swivel Flat Canopy)

1STS6 1STS12 1STS18 1STS24 1STS36 1STS48
1STS60 1STS72 1STS96

1/4" (1/2" OD Rigid Stems with Flat Canopy)

1STR6 1STR12 1STR18 1STR24 1STR36
1STR48 1STR60 1STR72 1STR96



*Stem finish will match fixture finish.

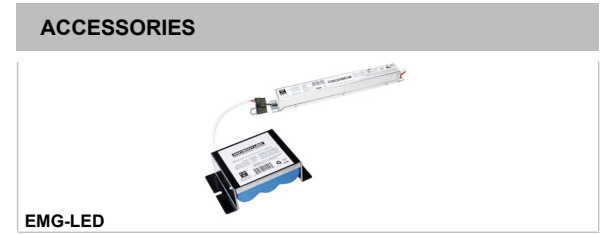
Project: _____

Fixture Type: _____ Quantity: _____

Customer: _____

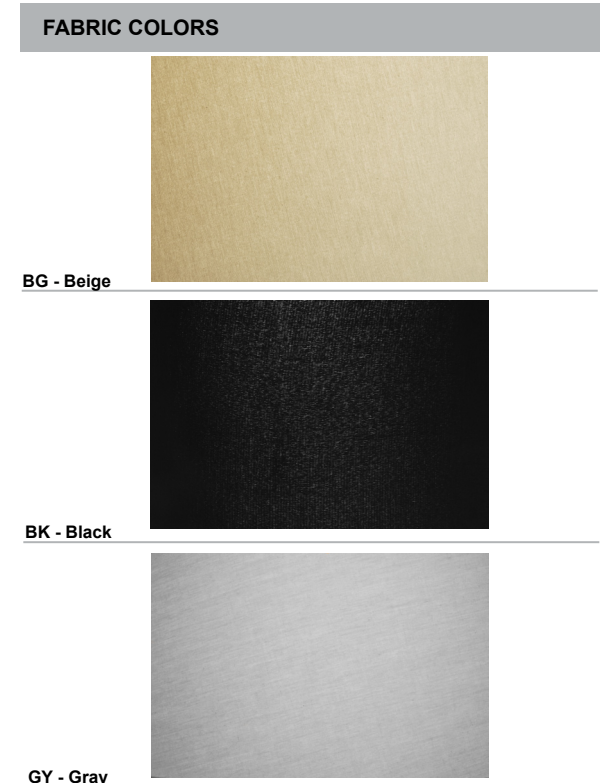
7 ACCESSORIES	
*EMG-LED06	(6w, LED Emergency Driver, remote placement, Cree module only, Not applicable for 12w LED) MUST CHOOSE DCCEM CANOPY IN BOX 4.
*EMG-LED10	(10w, LED Emergency Driver, remote placement, Cree module only, Not applicable for 12w LED) MUST CHOOSE DCCEM CANOPY IN BOX 4.
*EMG-LED16	(16w, LED Emergency Driver, remote placement, Cree module only, Not applicable for 12w LED) MUST CHOOSE DCCEM CANOPY IN BOX 4.
*EMG-LED20	(20w, LED Emergency Driver, remote placement, Cree module only, Not applicable for 12w LED) MUST CHOOSE DCCEM CANOPY IN BOX 4.
*For Emergency lumen output data, see Technical section at www.ANPlighting.com.	

DRIVER HOUSINGS	
	CRD-DCC (7 3/4" x 1 1/2") Cord Only
	SSC-DCC (7 3/4" x 1 1/2") Cable/Cord Only
	ST-DCCEM (12" x 1 1/2") Stem Only
	CRD-DCCEM (12" x 1 1/2") Cord Only
	SSC-DCCEM (12" x 1 1/2") Cable/Cord Only



8 FINISHES			
Standard Colors	Standard Grade	Premium Colors	Premium Grade
Aspen Green	10	High Gloss Black	01
Cantaloupe	11	Arctic Silver	14
Lilac	12	Candy Apple Red	64
Putty	13	Cobalt Blue	65
Raw Unfinished	40	Caramel	66
Black	41	Butterscotch	67
Forest Green	42	Black Silver	68
Bright Red	43	Gunmetal Gray	69
White	44	Mayan Gold	79
Bright Blue	45	Textured Desert Stone	80
Sunny Yellow	46	Extreme Chrome	81
Aqua Green	47	Graystone	82
Galvanized	49	Oil Rubbed Bronze	83
Navy	50	Carbon Graphite	96
Architectural Bronze	51		
Patina Verde	52		
Copper Clay	53		
Silver	56		
Black Verde	61		
Painted Chrome	70		
Painted Copper	71		
Textured Black	72		
Matte Black	73		
Textured Architectural Bronze	76		
Textured White	77		
Textured Silver	78		

Consult Factory for additional paint charges and availability.



9 VOLTAGE	
UNV	(120-277)

Project: _____

Fixture Type: _____ Quantity: _____

Customer: _____

LED MODULE SPECIFICATIONS

LED Wattage	CCT	Typical Luminous Flux	System Wattage	Typical Efficacy
9W	2700K	850	11W	97
	3000K	850	11W	97
	3500K	850	11W	97
	4000K	850	11W	97
10W	2700K	1250	12W	125
	3000K	1250	12W	125
	3500K	1250	12W	125
	4000K	1250	12W	125
16W	2700K	2000	19W	125
	3000K	2000	19W	125
	3500K	2000	19W	125
	4000K	2000	19W	125
24W	2700K	3000	29W	125
	3000K	3000	29W	125
	3500K	3000	29W	125
	4000K	3000	29W	125

MODULE SPECIFICATION:

- Efficacy 97-125 lumens per watt
- Life: L70 50,000 hours
- Color temp: 2700K, 3000K, 3500K and 4000K
- CRI: >90

MODULE DRIVER SPECIFICATION:

- Input Voltage: 120-277 Volts; 50/60Hz
- Dimmable down to 1%
- 0-10V, TRIAC and ELV dimming protocols are standard. (12w is 120v and TRIAC dimming only)
- Output Current: Constant Current; 440mA to 940mA (model dependent)
- Driver Efficiency > 80%; Power Factor > 0.9
- Integral Surge Protection in conformance to ANSI C62.41 Category A.

MODULE LISTINGS

- Fully compliant with the RoHS Directive
- Certifications: CE/UL

WARRANTY

See www.ANPlighting.com for complete fixture warranty.

LED warranty information

- 5 year limited warranty*

*Limited Warranty: A typical year is defined as 4380 hours of operation

Project: _____

Fixture Type: _____ Quantity: _____

Customer: _____

All fabric Color Cords are three conductor, 1/4" diameter

Solid Fabric Colored Cords



BLSF | Black



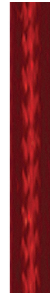
GYSF | Gray



CHSF | Chocolate Brown



WHSF | White



CASF | Cardinal



ORSF | Orange



LGSF | Lime Green



KGSF | Kelly Green



CBSF | Cobalt Blue



SBSF | Sky Blue

Patterned Fabric Colored Cords



BWHPF | Black/White Houndstooth



BIHPF | Brown/Ivory Houndstooth



GYCPF | Gray/Citrus Yellow



MOSPF | Magenta/Orange Stripe



NMTPF | Navy Mini Tweed

Glossy Fabric Colored Cords



GMGF | Gun Metal



SSGF | Sterling Silver



CPGF | Copper Penny



BRGF | Bronze



GOGF | Gold