

Project: _____

Fixture Type: _____ Quantity: _____

Customer: _____



illuminating
ENGINEERING SOCIETY

Specifications

Material:

Canopy and glass fitter are constructed of heavy duty spun aluminum. All fasteners are stainless steel. Screw hardware may not match paint.

Glass:

White opal glass.

Electrical:

Medium Base Socket, 200w Maximum or GU24 Socket. Approximately 12" of pull wire extends from fixture. Additional pull wire provided for post mount arms and wall mounts.

Certifications:

UL Listed for dry locations.

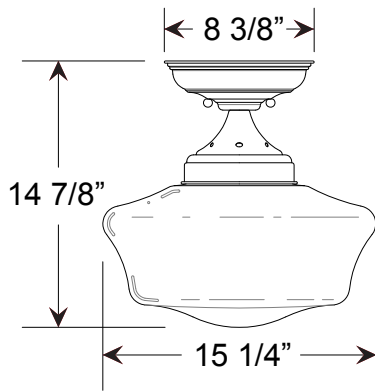
Finish:

A polyester powder coat high quality finish is electro-statically applied and baked at 430° for exceptional durability and color retention. Products undergo an intensive five-step cleansing and pretreatment process for maximum paint adhesion.

Marine grade finish provides superior salt, humidity and UV protection. This coating withstands up to 3000 hours of continuous salt spray, comes with a 5-year warranty and is available in either a textured or gloss surface.

Modifications:

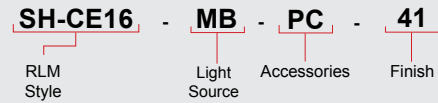
Consult factory for custom or modified designs.



Weight: 7.8 lbs

SH-CE16
200w Max
Medium Base

Catalog Logic



Catalog Number

1

2

3

SH-CE16

1 LIGHT SOURCE & WATTAGES

GU24	(GU24 Socket)
MB	(Medium Base Socket, 200w Max)

2 ACCESSORIES

PC	(Button Photo Cell) Remote Only
-----------	---------------------------------

3 FINISHES

*Marine Grade Finish has an additional charge

Standard Colors	Standard Grade	Marine	Premium Colors	Premium Grade	Marine Grade*
Aspen Green	10	10M	High Gloss Black	01	01M
Cantaloupe	11	11M	Arctic Silver	14	14M
Lilac	12	12M	Candy Apple Red	64	64M
Putty	13	13M	Cobalt Blue	65	65M
Raw Unfinished	40	NA	Caramel	66	66M
Black	41	41M	Butterscotch	67	67M
Forest Green	42	42M	Black Silver	68	68M
Bright Red	43	43M	Gunmetal Gray	69	69M
White	44	44M	Mayan Gold	79	NA
Bright Blue	45	45M	Textured Desert Stone	80	80M
Sunny Yellow	46	46M	Extreme Chrome	81	81M
Aqua Green	47	47M	Graystone	82	82M
Galvanized	49	NA	Oil Rubbed Bronze	83	83M
Navy	50	50M	Carbon Graphite	96	96M
Architectural Bronze	51	51M			
Patina Verde	52	52M			
Copper Clay	53	53M			
Silver	56	56M			
Black Verde	61	61M			
Painted Chrome	70	70M			
Painted Copper	71	71M			
Textured Black	72	72M			
Matte Black	73	73M			
Textured Architectural	76	76M			
Textured White	77	77M			
Textured Silver	78	78M			

Consult Factory for additional paint charges and availability.

WARRANTY

See www.ANPlighting.com for complete fixture warranty.

ACCESSORIES



PC Button Photo Cell (Remote Only)