



**Specifications**

**General:**  
Slope ceiling canopy, maximum 20° degree slope ceiling. Finish is same as shade, unless specified otherwise.

**Material:**  
Stamped Steel with cast steel swivel ball. All mounting hardware provided shall be stainless steel or zinc plated steel and may not match finish.

**Mounting:**  
Mounting hardware kit provided.

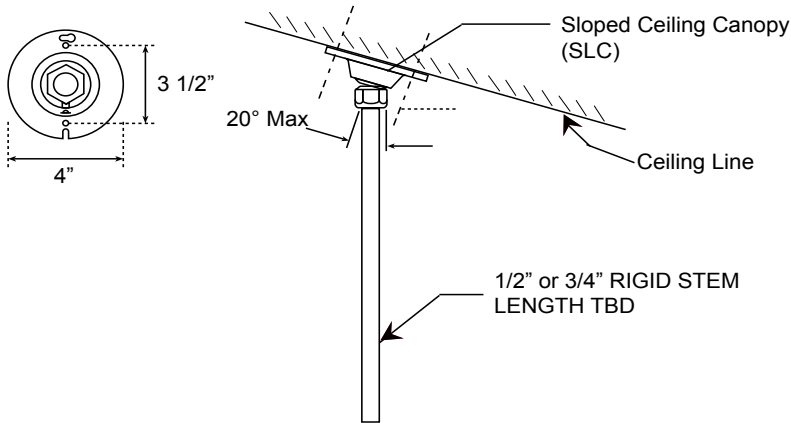
**Finish:**  
A polyester powder coat high quality finish is electro-statically applied and baked at 430° for exceptional durability and color retention. Products undergo an intensive five-step cleansing and pretreatment process for maximum paint adhesion.

Marine grade finish provides superior salt, humidity and UV protection. This coating withstands up to 3000 hours of continuous salt spray, comes with a 5-year warranty and is available in either a textured or gloss surface.

**SLC**

4" OD X 1 7/8" OAH

Weight: 0.5 lbs



FINISHES					
*Marine Grade Finish has an additional charge					
Standard Colors	Standard Grade	Marine Grade*	Premium Colors	Premium Grade	Marine Grade*
Aspen Green	10	10M	High Gloss Black	01	01M
Cantaloupe	11	11M	Arctic Silver	14	14M
Lilac	12	12M	Candy Apple Red	64	64M
Putty	13	13M	Cobalt Blue	65	65M
Raw Unfinished	40	NA	Caramel	66	66M
Black	41	41M	Butterscotch	67	67M
Forest Green	42	42M	Black Silver	68	68M
Bright Red	43	43M	Gunmetal Gray	69	69M
White	44	44M	Mayan Gold	79	NA
Bright Blue	45	45M	Textured Desert Stone	80	80M
Sunny Yellow	46	46M	Extreme Chrome	81	81M
Aqua Green	47	47M	Graystone	82	82M
Galvanized	49	NA	Oil Rubbed Bronze	83	83M
Navy	50	50M	Carbon Graphite	96	96M
Architectural Bronze	51	51M			
Patina Verde	52	52M			
Copper Clay	53	53M			
Silver	56	56M			
Black Verde	61	61M			
Painted Chrome	70	70M			
Painted Copper	71	71M			
Textured Black	72	72M			
Matte Black	73	73M			
Textured Architectural Bronze	76	76M			
Textured White	77	77M			
Textured Silver	78	78M			

Consult Factory for additional paint charges and availability.