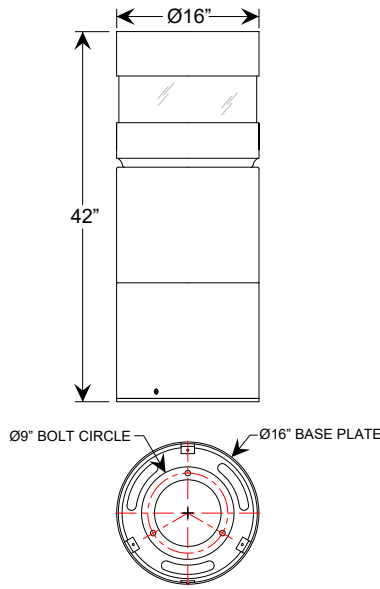


Project: \_\_\_\_\_

Fixture Type: \_\_\_\_\_ Quantity: \_\_\_\_\_

Customer: \_\_\_\_\_



**Specifications**

**Material:**  
All parts are durable, high strength spinings. All mounting hardware shall be stainless steel or zinc plated steel.

**Lens:**  
Choice of acrylic lens

**Mounting:**  
Standard anchor bolts are 3/8" x 10" x 2". Bolts, nuts and washers shall be hot dipped galvanized steel. Bolt pattern diameter is 9".

**Drivers:**  
Universal voltage 120-277 is standard. 0-10V, TRIAC and ELV dimming to 1% protocols are standard for LED module.

See page 2 table for LED engine and driver specs, voltage and dimming protocols.



**Finish:**  
A polyester powder coat high quality finish is electro-statically applied and baked at 430° for exceptional durability and color retention. Products undergo an intensive five-step cleansing and pretreatment process for maximum paint adhesion.

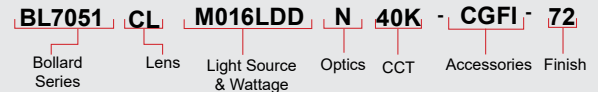
Marine grade finish provides superior salt, humidity and UV protection. This coating withstands up to 3000 hours of continuous salt spray, comes with a 5-year warranty and is available in either a textured or gloss surface.

**Modifications:**  
Consult factory for custom or modified designs.

**BL7051 - LED**

Weight: 48.0 lbs

**Catalog Logic**



Catalog Number	1	2	3	4	5	6
	<b>BL7051</b>					

**1 LENS**

<b>CL</b> (Clear Acrylic)
<b>FR</b> (Frosted Acrylic)
<b>WH</b> (White Opal Acrylic)

**2 LIGHT SOURCE & WATTAGES**

<b>M010LDD</b> (10w Cree Module)
<b>M016LDD</b> (16w Cree Module)
<b>M024LDD</b> (24w Cree Module)
<b>M037LDD</b> (37w Cree Module)

**3 OPTICS**

<b>W</b> (T5 Wide Distribution with Dome LED Lens)
<b>N</b> (T5 Narrow Distribution with Flat LED Lens)

**4 COLOR TEMPERATURE (CCT)**

<b>27K</b> (2700K)
<b>30K</b> (3000K)
<b>35K</b> (3500K)
<b>40K</b> (4000K)

**5 ACCESSORIES**

<b>HSSC90</b> (90° House Side Shield, polished)
<b>HSSC180</b> (180° House Side Shield, polished)
<b>IBOLT</b> (Eye Bolt)
<b>*EMG-LED5</b> (5w, LED Emergency Driver)
<b>*EMG-LED7</b> (7w, LED Emergency Driver)
<b>*EMG-LED10</b> (10w, LED Emergency Driver)
<b>GF115</b> (15 amp GFCI receptacle outlet)
<b>GF120</b> (20 amp GFCI receptacle outlet)
<b>GFI-WPU</b> (20 amp GFCI receptacle w/weather proof)
<b>CGFI</b> (20 amp Concealed GFCI receptacle w/hinged door)

\*For Emergency lumen output data, see Resources section at [www.ANPlighting.com](http://www.ANPlighting.com).

**6 FINISHES**  
\*Marine Grade Finish has an additional charge

Standard Colors	Standard Grade	Marine Grade*	Standard Colors	Standard Grade	Marine Grade*
Aspen Green	10	10M	Copper Clay	53	53M
Cantaloupe	11	11M	Silver	56	56M
Lilac	12	12M	Black Verde	61	61M
Putty	13	13M	Painted Chrome	70	70M
Raw Unfinished	40	NA	Painted Copper	71	71M
Black	41	41M	Textured Black	72	72M
Forest Green	42	42M	Matte Black	73	73M
Bright Red	43	43M	Textured Architectural Bronze	76	76M
White	44	44M	Textured White	77	77M
Bright Blue	45	45M	Textured Silver	78	78M
Sunny Yellow	46	46M			
Aqua Green	47	47M			
Galvanized	49	NA			
Navy	50	50M			
Architectural Bronze	51	51M			
Patina Verde	52	52M			

Consult Factory for additional paint charges and availability.

Project: \_\_\_\_\_  
 Fixture Type: \_\_\_\_\_ Quantity: \_\_\_\_\_  
 Customer: \_\_\_\_\_

**LED PERFORMANCE**

MODULE				
LED Wattage	CCT	Typical Luminous Flux	System Wattage	Typical Efficacy
10W	2700K	1250	12W	125
	3000K	1250	12W	125
	3500K	1250	12W	125
	4000K	1250	12W	125
16W	2700K	2000	19W	125
	3000K	2000	19W	125
	3500K	2000	19W	125
	4000K	2000	19W	125
24W	2700K	3000	29W	125
	3000K	3000	29W	125
	3500K	3000	29W	125
	4000K	3000	29W	125
37W	2700K	4000	43W	108
	3000K	4000	43W	108
	3500K	4000	43W	108
	4000K	4000	43W	108

**MODULE SPECIFICATION:**

- Efficacy 125 lumens per watt
- Life: L70 50,000 hours
- Color temp: 2700K, 3000K, 3500K and 4000K
- CRI: >90

**MODULE LISTINGS**

- Fully compliant with the RoHS Directive
- Certifications: CE/UL

**MODULE DRIVER SPECIFICATION:**

- Input Voltage: 120-277 Volts; 50/60Hz
- Dimmable down to 1%
- 0-10V, TRIAC and ELV dimming protocols are standard.
- Output Current: Constant Current; 440mA to 940mA (model dependent)
- Driver Efficiency > 80%; Power Factor > 0.9
- Integral Surge Protection in conformance to ANSI C62.41 Category A.

**WARRANTY**

See [www.ANPlighting.com](http://www.ANPlighting.com) for complete fixture warranty.

LED warranty information

- 5 year limited warranty\*

\*Limited Warranty: A typical year is defined as 4380 hours of operation

**ACCESSORIES**



HSSC90/HSSC120

IBOLT

EMG-LED

GFI15 & GFI20

GFI-WPU

CGFI