



Project Name: _____

Fixture Type: _____ Quantity: _____

Customer: _____

Specifications

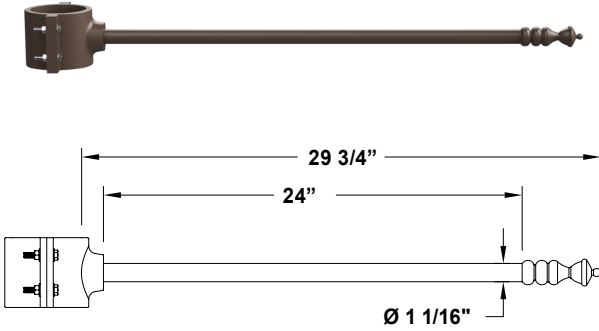
General:
Variable width banner arm with removable finial.

Material:
Durable A356 solid cast aluminum. Hardware is stainless steel, natural finish.

Finish:
A polyester powder coat high quality finish. Marine grade finish is available.

Buy American:
This product is assembled in the USA and meets the Buy America(n) government procurement requirements under FAR, DFARS, and DOT regulations. [Click here](#) for additional information.

Other:
Please consult factory regarding maximum allowable banner size for your pole application. Please consult factory if for use with tapered poles.



BAB
Banner Arm A
Sold Individually

EPA: 0.20
Weight: 6 lbs.

Catalog Logic

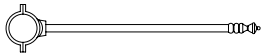


Catalog Number

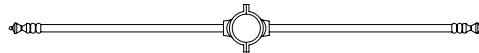
- 1
- 2
- 3
- 4

BAB

1 Arm Configuration



2 Arm Configuration



1 ARM CONFIGURATION

- 1 (1 Arm Configuration)
- 2 (2 Arm Configuration)

2 POLE DIAMETER

- 3 (3" Diameter)
- 4 (4" Diameter)
- 5 (5" Diameter)
- 6 (6" Diameter)
- 7 (7" Diameter)

3 BANNER WIDTH

- 18 (18")
- 24 (24")
- 30 (30")
- Other, Please Specify

4 FINISHES

*Premium and Marine Grade Finish have additional charges

Standard Colors	Standard Grade	Marine Grade*	Standard Colors	Standard Grade	Marine Grade*
Aspen Green	10	10M	Navy	50	50M
Cantaloupe	11	11M	Architectural Bronze	51	51M
Lilac	12	12M	Patina Verde	52	52M
Putty	13	13M	Copper Clay	53	53M
Raw Unfinished	40	NA	Silver	56	56M
Black	41	41M	Black Verde	61	61M
Forest Green	42	42M	Painted Chrome	70	70M
Bright Red	43	43M	Painted Copper	71	71M
White	44	44M	Textured Black	72	72M
Bright Blue	45	45M	Matte Black	73	73M
Sunny Yellow	46	46M	Textured Architectural Bronze	76	76M
Aqua Green	47	47M	Textured White	77	77M
Galvanized	49	NA	Textured Silver	78	78M
PREMIUM FINISH	Premium Grade*	Marine Grade*			
Textured Desert	80	80M			
Graystone	82	82M			
Oil Rubbed Bronze	83	83M			
Carbon Graphite	96	96M			

Consult Factory for additional paint charges and availability.

FINISHES

- A polyester powder coat high quality finish is electro-statically applied and baked at 430° for exceptional durability and color retention. Products undergo an intensive five-step cleansing and pre-treatment process for maximum paint adhesion. Marine grade finish provides superior salt, humidity and UV protection. This coating withstands up to 3,000 hours of continuous salt spray.

WARRANTY

- ANP Lighting warrants our standard high-quality finishes are processed and treated to create a lasting protection. ANP Lighting does not warrant paint and material finishes when Product(s) is installed in a salt air coastal application unless the product(s) is ordered with Optional Marine Grade Powder Coat Finish. Warranty for either paint option is five (5) years from date of shipment.

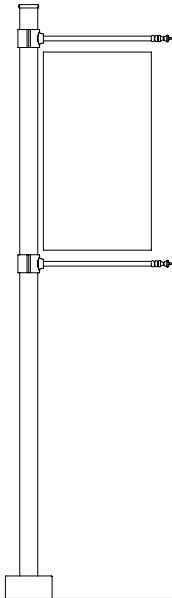
Project Name: _____

Fixture Type: _____ Quantity: _____

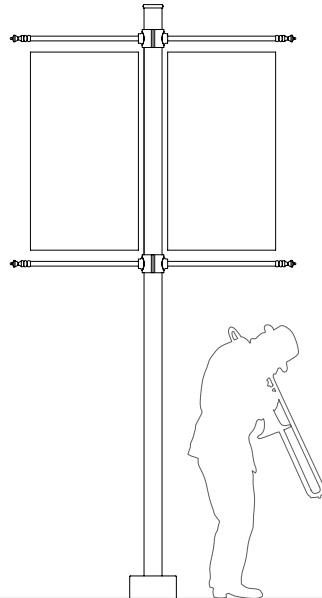
Customer: _____

POLE APPLICATIONS AND CONFIGURATION EXAMPLES

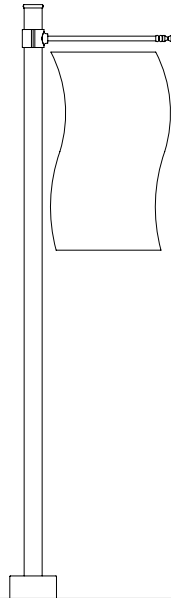
BAB-1-4-24
 Banner Arm B
 1 Arm Configuration
 4" Pole
 24" Banner
 Purchase Quantity: 2



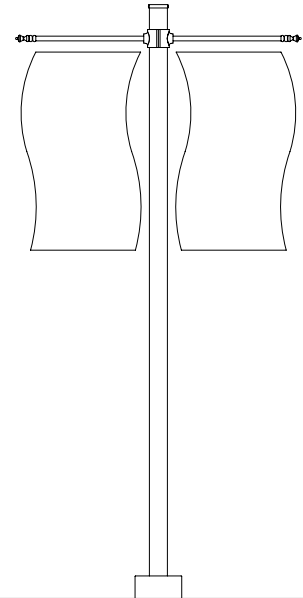
BAB-2-4-24
 Banner Arm B
 2 Arm Configuration
 4" Pole
 24" Banner
 Purchase Quantity: 2



BAB-1-4-24
 Banner Arm B
 1 Arm Configuration
 4" Pole
 24" Banner
 Purchase Quantity: 1



BAB-2-4-24
 Banner Arm B
 2 Arm Configuration
 4" Pole
 24" Banner
 Purchase Quantity: 1



* Please consult factory regarding maximum allowable banner size for your pole application.*

FINISHES COLORS

STANDARD



PREMIUM

