

Project Name: \_\_\_\_\_  
 Fixture Type: \_\_\_\_\_ Quantity: \_\_\_\_\_  
 Customer: \_\_\_\_\_

### Specifications

**General:**  
 Spring-loaded banner arm dramatically increases maximum allowable banner size. For banners up to 23 square feet. Windtunnel tested to withstand NWS-rated, tornado-force winds. Reduces stress on poles and banners. Fiberglass arm can be cut-to-length in field.

**Material:**  
 Pole clamp is cast aluminum. Available in black only, for other finishes consult factory. Arms are black fiberglass, natural finish. Pole banding is stainless steel, powdercoated black. Heavy duty banding is required. For direct-mount option: hardware is stainless steel, natural finish.

**Finish:**  
 A polyester powder coat high quality finish.

**Buy American:**  
 This product is assembled in the USA and meets the Buy America(n) government procurement requirements under FAR, DFARS, and DOT regulations. [Click here](#) for additional information.

**Other:**  
 Please consult factory regarding maximum allowable banner size for your pole application. Please consult factory if for use with tapered poles.

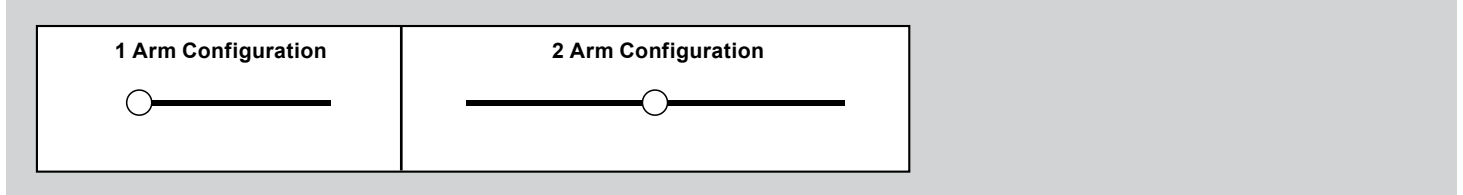
**BSL Bannersaver™ Large Sold in Pairs**

EPA: 0.46  
 Weight: 6 lbs.

### Catalog Logic

<b>BSL</b>	<b>1</b>	<b>4</b>	<b>24</b>	<b>B</b>	<b>HD</b>	<b>41</b>
Banner Arm Series	Arm Configuration	Pole Diameter	Banner Width	Mounting Style	Mounting Hardware	Standard Finish

Catalog Number	1	2	3	4	5	6	7
<b>BSL</b>						-	-



1	ARM CONFIGURATION
1	(1 Arm Configuration)
2	(2 Arm Configuration)
2	POLE DIAMETER
3	(3" Diameter)
4	(4" Diameter)
5	(5" Diameter)
6	(6" Diameter)
7	(7" Diameter)

3	BANNER WIDTH
18	(18")
24	(24")
30	(30")
	Other, Please Specify

4	MOUNTING STYLE
B	(Bolt-on)
S	(Strap-on)

5	MOUNTING HARDWARE (For Bolt-on Mounting Style Only)
HD BAND	Heavy Duty Banding Set (Required for BSL)

6	ACCESSORIES
HD TOOL	Heavy Duty Banding Tool

7	FINISH *Standard Color & Grade
41	Black
Consult Factory for additional paint charges and availability.	

**FINISHES**

- A polyester powder coat high quality finish is electro-statically applied and baked at 430° for exceptional durability and color retention. Products undergo an intensive five-step cleansing and pre-treatment process for maximum paint adhesion. Marine grade finish provides superior salt, humidity and UV protection. This coating withstands up to 3,000 hours of continuous salt spray.

**WARRANTY**

- ANP Lighting warrants our standard high-quality finishes are processed and treated to create a lasting protection. ANP Lighting does not warrant paint and material finishes when Product(s) is installed in a salt air coastal application unless the product(s) is ordered with Optional Marine Grade Powder Coat Finish. Warranty for either paint option is five (5) years from date of shipment.

Project Name: \_\_\_\_\_

Fixture Type: \_\_\_\_\_ Quantity: \_\_\_\_\_

Customer: \_\_\_\_\_

**MOUNTING HARDWARE AND ACCESSORIES**



HD BAND



HD TOOL

**STANDARD FINISH**

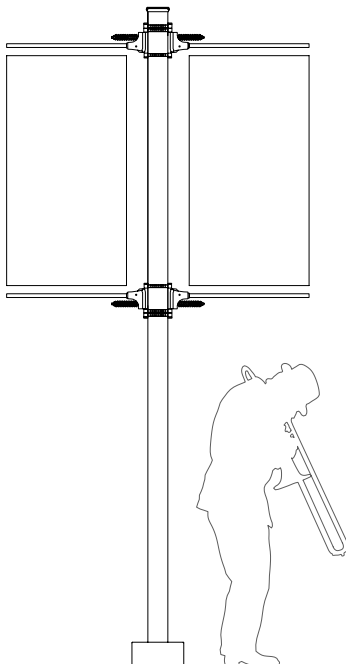
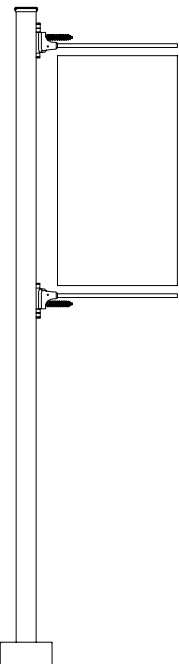
STANDARD



**POLE APPLICATIONS AND CONFIGURATIONS**

BSL-1-4-24-B  
 Bannersaver Large  
 1 Arm Configuration  
 4" Pole  
 24" Banner  
 Bolt-on  
 Purchase Quantity: 1

BSL-2-4-24-S  
 Bannersaver Large  
 2 Arm Configuration  
 4" Pole  
 24" Banner  
 Strap-on  
 Purchase Quantity: 2



\* Please consult factory regarding maximum allowable banner size for your pole application.\*